

Northern

COFER & STUDIO
EST. 1993

Price list

2023

Valid 01.03.2023 — 31.08.2023

EUR + IVA

Northern

We combine beauty with functionality and prefer natural materials and genuine craftsmanship. Furniture, lighting and interior accessories are a natural fit for what we do, enabling us to express our characteristic style.

Inspired by the pale beauty and rough-cut contrasts of the North, the Oslo-based brand is Nordic in spirit, yet global in style.

northern.no

Content

Furniture

<u>Daybe sofa</u>	P. 6
<u>Daybe with armrests</u>	P. 7
<u>Daybe dining sofa</u>	P. 8
<u>Daybe daybed</u>	P. 9
<u>Expand table series</u>	P. 11
<u>Gem sofa*</u>	P. 14
<u>Hifive cabinet system</u>	P. 15
<u>Hifive slim wall</u>	P. 18
<u>Loud bar cabinet*</u>	P. 21
<u>Loud tall cabinet*</u>	P. 22
<u>Loud sideboard*</u>	P. 25
<u>Mass side table</u>	P. 26
<u>Oaki dining chair</u>	P. 27
<u>Oaki lounge chair</u>	P. 28
<u>Oblong lounge chair</u>	P. 30
<u>Oblong sofa</u>	P. 31
<u>Pal stool</u>	P. 32
<u>Pal bench</u>	P. 33
<u>Plis 2 seater sofa</u>	P. 34
<u>Plis 3 seater sofa</u>	P. 35
<u>Shelter desk</u>	P. 36
<u>Stilk coffee table</u>	P. 37
<u>Treble bar stool</u>	P. 38
<u>Valet wall console</u>	P. 39
<u>Valet wall drawer*</u>	P. 40
<u>Yam lounge chair</u>	P. 41
<u>Yam pouf medium</u>	P. 42
<u>Yam pouf small</u>	P. 43

New products *

Accessories

<u>Brim vase*</u>	P. 45
<u>Cane broom set</u>	P. 46
<u>Dais stepstool</u>	P. 47
<u>Frame wall rack</u>	P. 48
<u>Grab watering can</u>	P. 49
<u>Granny candle holder*</u>	P. 50
<u>Mim outdoor broom</u>	P. 52
<u>Monolith candle holder*</u>	P. 53
<u>Nest wall hook</u>	P. 54
<u>Nook rack</u>	P. 55
<u>Oasis planter</u>	P. 56
<u>Observe tray*</u>	P. 57
<u>Peek mirror</u>	P. 58
<u>Podium board*</u>	P. 59
<u>Row rug</u>	P. 60
<u>Trace flashlight</u>	P. 61

Lighting

<u>Acorn floor</u>	P. 64
<u>Acorn pendant</u>	P. 65
<u>Balancer floor</u>	P. 66
<u>Balancer wall</u>	P. 67
<u>Balancer mini wall/table*</u>	P. 68
<u>Birdy floor</u>	P. 69
<u>Birdy floor swing</u>	P. 70
<u>Birdy table</u>	P. 71
<u>Birdy table swing</u>	P. 72
<u>Birdy wall</u>	P. 73
<u>Blush pendant</u>	P. 74
<u>Blush rail 3 pendant</u>	P. 75
<u>Blush rail 5 pendant</u>	P. 76
<u>Blush wall</u>	P. 77

<u>Buddy floor</u>	P. 78
<u>Buddy table</u>	P. 79
<u>Buddy wall</u>	P. 80
<u>Butterfly wall</u>	P. 81
<u>Butterfly perforated</u>	P. 82
<u>Circle pendant</u>	P. 83
<u>Dahl pendant</u>	P. 84
<u>Diva series</u>	P. 85
<u>Dokka pendant</u>	P. 86
<u>Gear floor</u>	P. 87
<u>Gear table</u>	P. 88
<u>Glint wall</u>	P. 89
<u>Heat pendant</u>	P. 80
<u>Ink wall</u>	P. 91
<u>Me dim floor</u>	P. 92
<u>Moo wall</u>	P. 93
<u>Ombre table</u>	P. 94
<u>Oslo Wood floor</u>	P. 95
<u>Over Me series</u>	P. 96
<u>Reveal pendant</u>	P. 97
<u>Salto floor*</u>	P. 98
<u>Salto table*</u>	P. 100
<u>Say My Name series</u>	P. 101
<u>Snowball floor</u>	P. 102
<u>Snowball table</u>	P. 103
<u>Tradition pendant*</u>	P. 104
<u>Unika pendant</u>	P. 105
<u>Spare parts</u>	P. 106
<u>Terms & Conditions</u>	P. 109



Furniture



Daybe price group 0 – *Item no. 2269*

Daybe price group 1 – *Item no. 2001*

Daybe price group 2 – *Item no. 2002*

Daybe price group 3 – *Item no. 2003*

Daybe price group 4 – *Item no. 2270*

Product type: Sofa (bed)

Design: Morten & Jonas, 2018

Material legs: Steel

Colour legs: Black (Ral 9005)

Material body: Plywood base, cold foam filling, textile cover

Price group 0: Reflect (Kvadrat)

Price group 1: Brusvik (Kvadrat)

Price group 2: Remix 3, Atlas (Kvadrat)

Price group 3: Steelcut Trio 3, Fiord 2, Canvas 2 (Kvadrat)

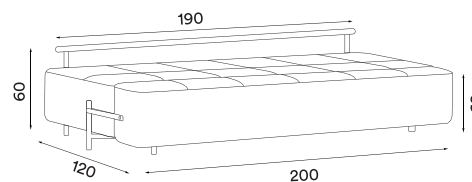
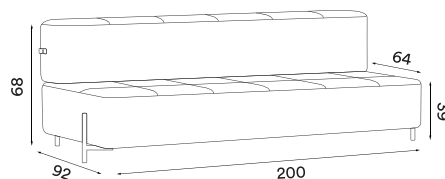
Price group 4: Vidar 3, Moss, Zero (Kvadrat)

Net weight: 48.0 kg

Minimum order size: 1

Made to order

Text Dimensions (cm):



Textiles Group 0: 4,172€ (Exc IVA)

Textiles Group 1: 4,946€ (Exc IVA)

Textiles Group 2: 6,027€ (Exc. IVA)

Textiles Group 3: 6,955€ (Exc. IVA)

Textiles Group 4: 7,419€ (Exc. IVA)

Daybe sofa with armrests

P. 7



Daybe armrest price group 0 – *Item no. 2267*

Daybe armrest price group 1 – *Item no. 2261*

Daybe armrest price group 2 – *Item no. 2262*

Daybe armrest price group 3 – *Item no. 2263*

Daybe armrest price group 4 – *Item no. 2268*

Product type: Sofa (bed)

Design: Morten & Jonas, 2018

Material legs and armrests: Steel

Colour legs and armrests: Black (Ral 9005)

Material body: Plywood base, cold foam filling, textile cover

Price group 0: Reflect (Kvadrat)

Price group 1: Brusvik (Kvadrat)

Price group 2: Remix 3, Atlas (Kvadrat)

Price group 3: Steelcut Trio 3, Fiord 2, Canvas 2 (Kvadrat)

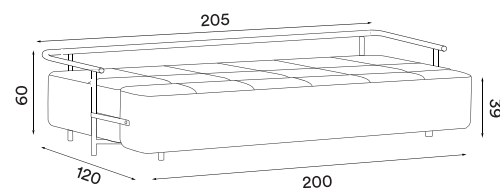
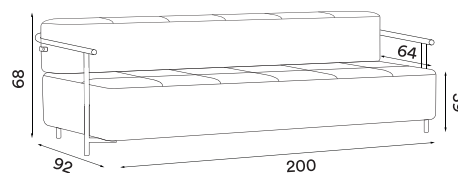
Price group 4: Vidar 3, Moss, Zero (Kvadrat)

Net weight: 52.5 kg

Minimum order size: 1

Made to order

Dimensions (cm):



Textiles Group 0: 4,636€ (Exc IVA)

Textiles Group 1: 5,256€ (Exc IVA)

Textiles Group 2: 6,647€ (Exc. IVA)

Textiles Group 3: 7,419€ (Exc. IVA)

Textiles Group 4: 7,882€ (Exc. IVA)



Daybe dining sofa

P. 8



Daybe dining sofa (black legs)
Price group 0 – *Item no. 2510*
Price group 1 – *Item no. 2511*
Price group 2 – *Item no. 2512*
Price group 3 – *Item no. 2513*
Price group 4 – *Item no. 2514*

Daybe dining sofa (white legs)
Price group 0 – *Item no. 2520*
Price group 1 – *Item no. 2521*
Price group 2 – *Item no. 2522*
Price group 3 – *Item no. 2523*
Price group 4 – *Item no. 2524*

Product type: Dining sofa

Design: Morten & Jonas, 2022

Material legs: Steel

Colour legs: Black (Ral 9005) or white (Ral 9002)

Material body: Plywood base, cold foam filling, textile cover

Price group 0: Reflect (Kvadrat)

Price group 1: Brusvik (Kvadrat)

Price group 2: Remix 3, Atlas (Kvadrat)

Price group 3: Steelcut Trio 3, Fiord 2, Canvas 2 (Kvadrat)

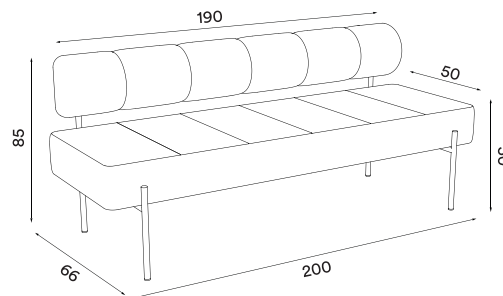
Price group 4: Vidar 3, Moss, Zero (Kvadrat)

Net weight: 45 kg

Minimum order size: 1

Made to order

Dimensions (cm):



Textiles Group 0: 3,401€ (Exc IVA)
Textiles Group 1: 3,864€ (Exc IVA)
Textiles Group 2: 4,172€ (Exc. IVA)
Textiles Group 3: 4,946€ (Exc. IVA)
Textiles Group 4: 5,256€ (Exc. IVA)





Daybe daybed w/pillow (black legs)

Price group 0 – *Item no. 2530*

Price group 1 – *Item no. 2531*

Price group 2 – *Item no. 2532*

Price group 3 – *Item no. 2533*

Price group 4 – *Item no. 2534*

Daybe daybed w/pillow (white legs)

Price group 0 – *Item no. 2540*

Price group 1 – *Item no. 2541*

Price group 2 – *Item no. 2542*

Price group 3 – *Item no. 2543*

Price group 4 – *Item no. 2544*

Product type: Daybed

Design: Morten & Jonas, 2022

Material legs: Steel

Colour legs: Black (Ral 9005) or white (Ral 9002)

Material body: Plywood base, cold foam filling, textile cover

Material pillow: Cold foam and feather filling, leather straps, textile cover

Price group 0: Reflect (Kvadrat)

Price group 1: Brusvik (Kvadrat)

Price group 2: Remix 3, Atlas (Kvadrat)

Price group 3: Steelcut Trio 3, Fiord 2, Canvas 2 (Kvadrat)

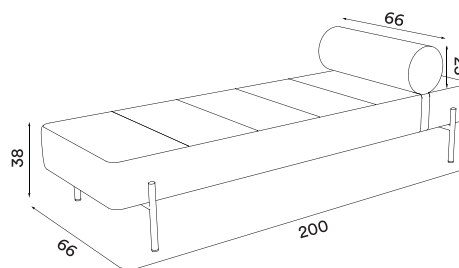
Price group 4: Vidar 3, Moss, Zero (Kvadrat)

Net weight: 27 kg

Minimum order size: 1

Made to order

Dimensions (cm):



Textiles Group 0: 2,781€ (Exc IVA)

Textiles Group 1: 3,091€ (Exc IVA)

Textiles Group 2: 3,245€ (Exc. IVA)

Textiles Group 3: 3,864€ (Exc. IVA)

Textiles Group 4: 4,172€ (Exc. IVA)

Daybe daybed pillow

P. 10



Daybe daybed extra pillow
Price group 0 – *Item no. 2500*
Price group 1 – *Item no. 2501*

Price group 2 – *Item no. 2502*
Price group 3 – *Item no. 2503*
Price group 4 – *Item no. 2504*

Product type: Daybed pillow

Design: Morten & Jonas, 2022

Materials: Cold foam and feather filling, leather straps, textile cover

Price group 0: Reflect (Kvadrat)

Price group 1: Brusvik (Kvadrat)

Price group 2: Remix 3, Atlas (Kvadrat)

Price group 3: Steelcut Trio 3, Fiord 2, Canvas 2 (Kvadrat)

Price group 4: Vidar 3, Moss, Zero (Kvadrat)

Net weight: 2.0 kg

Minimum order size: 1

Made to order

Dimensions (cm):

Textiles Group 0: 509 € (Exc IVA)
Textiles Group 1: 587 € (Exc IVA)
Textiles Group 2: 618 € (Exc. IVA)
Textiles Group 3: 757 € (Exc. IVA)
Textiles Group 4: 850 € (Exc. IVA)



Expand table circular 120

P. 11



Expand dining table circular 120
light oiled oak – *Item no. 2620*



Expand dining table circular 120
smoked oak – *Item no. 2621*



Expand dining table circular 120
black painted oak – *Item no. 2622*



Expand table extension 120 x 50
light oiled oak – *Item no. 2623*



Expand table extension 120 x 50
smoked oak – *Item no. 2624*



Expand table extension 120 x 50
black painted oak – *Item no. 2625*

Product type: Dining table
Design: Sami Kallio, 2022
Material: Solid oak
Colours: Light oiled oak, smoked oak finish or black painted oak
Net weight (table): 45 kg
Net weight (extension): 15 kg
Maximum length: 220 cm
Minimum order size: 1

Dimensions (cm):

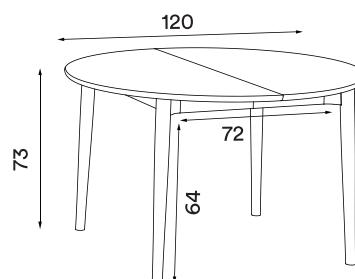


Table light/smoked: 5,100€ (Exc IVA)
Table black: 6,183€ (Exc. IVA)
Extension light/smoked: 926€ (Exc. IVA)
Extension black: 1,158€ (Exc. IVA)



Expand table 200

P. 12



Expand dining table 200 x 90
light oiled oak – *Item no. 2611*



Expand dining table 200 x 90
smoked oak – *Item no. 2612*



Expand dining table 200 x 90
black painted oak – *Item no. 2613*



Expand table extension 90 x 50
light oiled oak – *Item no. 2617*



Expand table extension 90 x 50
smoked oak – *Item no. 2618*



Expand table extension 90 x 50
black painted oak – *Item no. 2619*

Product type: Dining table
Design: Sami Kallio, 2022
Material: Solid oak
Colours: Light oiled oak, smoked oak finish or black painted oak
Net weight (table): 53 kg
Net weight (extension): 11 kg
Maximum length: 300 cm
Minimum order size: 1

Dimensions (cm):

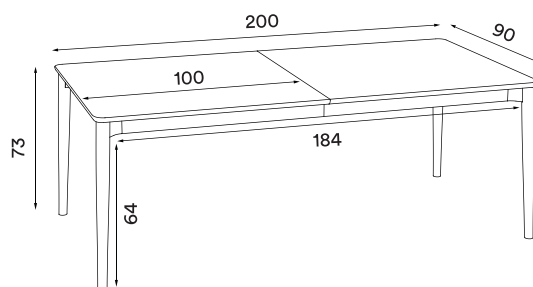


Table light/smoked: 5,951€ (Exc IVA)
Table black: 6,955€ (Exc. IVA)
Extension light/smoked: 772€ (Exc. IVA)
Extension black: 1,004€ (Exc. IVA)



Expand table 250

P. 13



Expand dining table 250 x 90
light oiled oak – *Item no. 2614*



Expand dining table 250 x 90
smoked oak – *Item no. 2615*



Expand dining table 250 x 90
black painted oak – *Item no. 2616*



Expand table extension 90 x 50
light oiled oak – *Item no. 2617*



Expand table extension 90 x 50
smoked oak – *Item no. 2618*



Expand table extension 90 x 50
black painted oak – *Item no. 2619*

Product type: Dining table
Design: Sami Kallio, 2022
Material: Solid oak
Colours: Light oiled oak, smoked oak finish or black painted oak
Net weight (table): 62 kg
Net weight (extension): 11 kg
Maximum length: 350 cm
Minimum order size: 1

Dimensions (cm):

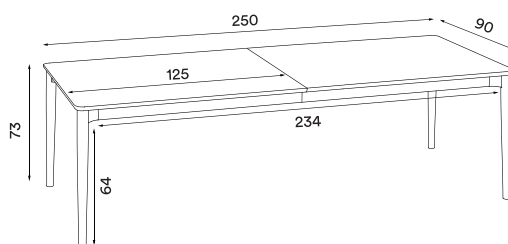


Table light/smoked: 6,800€ (Exc IVA)
Table black: 7,728€ (Exc. IVA)
Extension light/smoked: 772€ (Exc. IVA)
Extension black: 1,004€ (Exc. IVA)



Gem sofa 3 seater

P. 14



Gem sofa 3 seater price group 0 – *Item no. 2250*

Gem sofa 3 seater price group 1 – *Item no. 2251*

Gem sofa 3 seater price group 2 – *Item no. 2252*

Gem sofa 3 seater price group 3 – *Item no. 2253*

Gem sofa 3 seater price group 4 – *Item no. 2254*

Product type: Sofa

Design: Meike Harde, 2022

Material legs: Oak

Colour legs: Light oiled oak

Materials seat and backrest: Plywood base, cold foam filling, textile cover

Price group 0: Reflect (Kvadrat)

Price group 1: Brusvik (Kvadrat)

Price group 2: Remix 3, Atlas (Kvadrat)

Price group 3: Steelcut Trio 3, Fiord 2, Canvas 2 (Kvadrat)

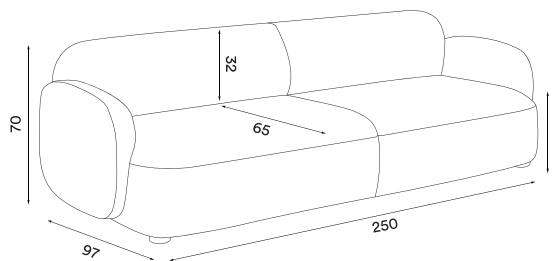
Price group 4: Vidar 3, Moss, Zero (Kvadrat)

Net weight: 63.0 kg

Minimum order size: 1

Made to order

Dimensions (cm):



Textiles Group 0: 6,801€ (Exc IVA)

Textiles Group 1: 7,574€ (Exc IVA)

Textiles Group 2: 8,192€ (Exc. IVA)

Textiles Group 3: 9,274€ (Exc. IVA)

Textiles Group 4: 10,047€ (Exc. IVA)



Hifive cabinet system



Hifive 75 light oak floor H15



Hifive 75 smoked oak wall



Hifive 75 black oak floor H28



Hifive 100 light oak floor H28



Hifive 100 smoked oak floor H15



Hifive 100 black oak wall



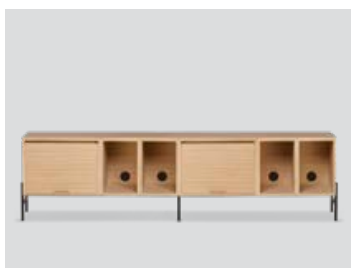
Hifive 150 light oak wall



Hifive 150 smoked oak floor H28



Hifive 150 black oak floor H15



Hifive 200 light oak floor H15



Hifive 200 smoked oak floor H28



Hifive 200 black oak wall



Hifive 75 x 114 tall cabinet
light oak floor H28



Hifive 75 x 114 tall cabinet
smoked oak floor H28



Hifive 75 x 114 tall cabinet
black painted oak floor H28



Hifive cabinet system

P. 16

Product type: Media furniture / storage

Design: Rudi Wulff, 2018

Material cabinet boxes and top board: MDF, oak veneer

Colour cabinet boxes and top board: Light oiled oak,

smoked oak finish or black painted oak

Material legs: Steel

Colour legs: Black (Ral 9005)

Net weight open box (25 cm): 6.4 kg

Net weight tambour cabinet (50 cm): 12.5 kg

Net weight top/back board 75 cm: 2.1 kg

Net weight top/back board 100 cm: 3.2 kg

Net weight top/back board 150 cm: 4.2 kg

Net weight top/back board 200 cm: 6.4 kg

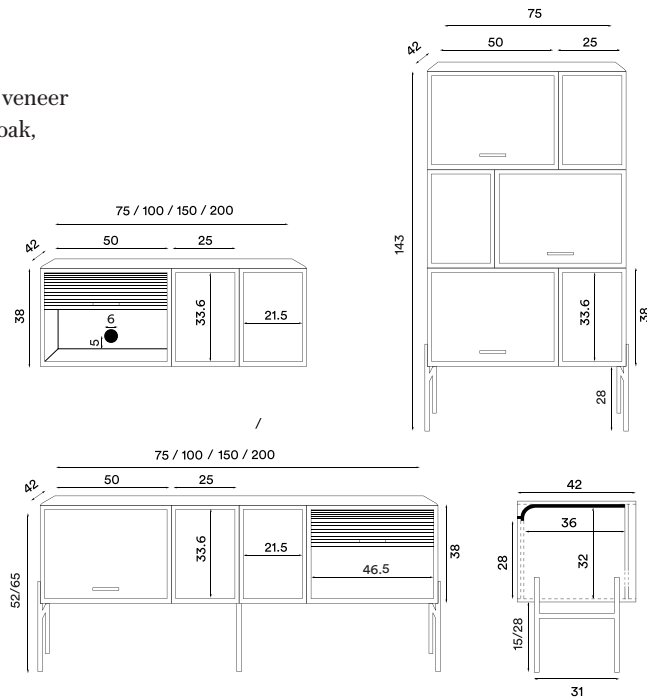
Net weight legs 75 cm: 2.2 kg / 2.4 kg

Net weight legs 100 cm: 2.4 kg / 2.6 kg

Net weight legs 150 cm: 3.8 kg / 4.1 kg

Net weight legs 200 cm: 4.2 kg / 4.5 kg

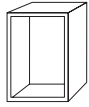
Minimum order size: 1



Hifive 150 wall: 4,018€ (Exc IVA)
Hifive 150 floor: 4,636€ (Exc. IVA)
Hifive 200 wall: 5,209€ (Exc. IVA)
Hifive 200 floor: 6,027€ (Exc. IVA)
Hifive 75 tall floor: 5,966€ (Exc. IVA)



Hifive cabinet system components

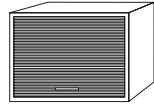


Open box

Light oiled oak
– Item no. 2062

Smoked oak
– Item no. 2061

Black painted oak
– Item no. 2063

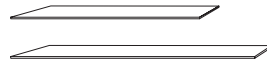


Tambour cabinet

Light oiled oak
– Item no. 2072

Smoked oak
– Item no. 2071

Black painted oak
– Item no. 2073

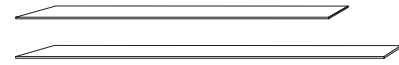


Top board 75 cm

Light oiled oak
– Item no. 2081

Smoked oak
– Item no. 2082

Black painted oak
– Item no. 2083

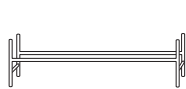


Top board 100 cm

Light oiled oak
– Item no. 2091

Smoked oak
– Item no. 2092

Black painted oak
– Item no. 2093



Legs H15 (low)

75 cm
– Item no. 2053

100 cm
– Item no. 2055

150 cm
– Item no. 2054

200 cm
– Item no. 2056



Legs H28 (high)

75 cm
– Item no. 2041

100 cm
– Item no. 2051

150 cm
– Item no. 2042

200 cm
– Item no. 2052



Back board 75 cm

Light oiled oak
– Item no. 2407

Smoked oak
– Item no. 2408

Black painted oak
– Item no. 2409



Back board 100 cm

Light oiled oak
– Item no. 2404

Smoked oak
– Item no. 2405

Black painted oak
– Item no. 2406



Back board 150 cm

Light oiled oak
– Item no. 2416

Smoked oak
– Item no. 2417

Black painted oak
– Item no. 2418



Back board 200 cm

Light oiled oak
– Item no. 2413

Smoked oak
– Item no. 2414

Black painted oak
– Item no. 2415





Open box: 572€ (Exc. IVA)
Tambour cabinet: 1,160€ (Exc. IVA)
Top/back board 75: 277€ (Exc. IVA)
Top/back board 100: 386€ (Exc. IVA)
Top/back board 150: 555€ (Exc. IVA)
Top/back board 200: 602€ (Exc. IVA)
Legs 75 cm: 511€ (Exc. IVA)
Legs 100 cm: 589€ (Exc. IVA)
Legs 150 cm: 618€ (Exc. IVA)
Legs 200 cm: 820€ (Exc. IVA)



Hifive slim wall

P. 19



Hifive slim 75 light oak



Hifive slim 75 smoked oak



Hifive slim 75 black oak



Hifive slim 100 light oak



Hifive slim 100 smoked oak



Hifive slim 100 black oak

Product type: Media furniture / storage

Design: Rudi Wulff, 2019

Material cabinet boxes and top board: MDF, oak veneer

Colour cabinet boxes and top board: Light oiled oak, smoked oak finish or black painted oak

Net weight open box: 4.7 kg

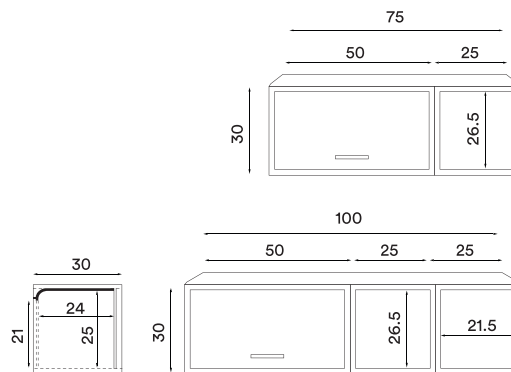
Net weight tambour cabinet: 8.0 kg

Net weight top board 75 cm: 1.5 kg

Net weight top board 100 cm: 2.0 kg

Minimum order size: 1

Dimensions (cm):

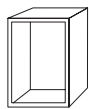


Hifive slim 75: 1,468€ (Exc IVA)
 Hifive slim 100: 1,963€ (Exc. IVA)



Hifive slim wall components

P. 20

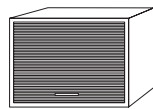


Open box

Light oiled oak
- *Item no. 2292*

Smoked oak
- *Item no. 2291*

Black painted oak
- *Item no. 2293*



Tambour cabinet

Light oiled oak
- *Item no. 2302*

Smoked oak
- *Item no. 2301*

Black painted oak
- *Item no. 2303*



Top board 75 cm

Light oiled oak
- *Item no. 2311*

Smoked oak
- *Item no. 2312*

Black painted oak
- *Item no. 2313*



Top board 100 cm

Light oiled oak
- *Item no. 2321*

Smoked oak
- *Item no. 2322*

Black painted oak
- *Item no. 2323*

Open box: 464€ (Exc. IVA)
Tambour cabinet: 728€ (Exc. IVA)
Top board 75: 277€ (Exc. IVA)
Top board 100: 308€ (Exc. IVA)



Loud bar cabinet

P. 21



Loud bar cabinet light oiled oak – *Item no. 2189*



Loud bar cabinet smoked oak – *Item no. 2190*



Loud bar cabinet smoked oak / mirror – *Item no. 2192*



Loud bar cabinet black – *Item no. 2193*

Product type: Bar cabinet

Design: Färg & Blanche, 2018

Material legs, shelves and top: Solid oak

Material cabinet: Plywood, oak veneer or polished aluminium laminate (mirror/smoked oak version only)

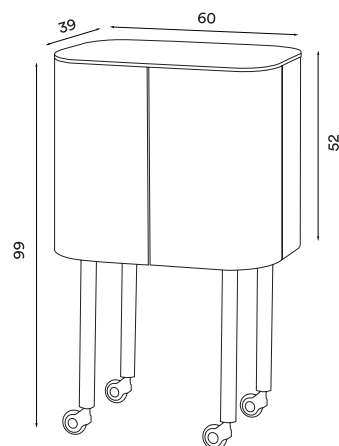
Colours: Light oiled oak, smoked oak finish, mirror/smoked oak finish or black painted oak

Wheels: Steel with rubber

Net weight: 12.3 kg

Minimum order size: 1

Dimensions (cm):



Loud bar Cabinet: 4,636€ (Exc IVA)



Loud tall cabinet

P. 22



Loud tall cabinet light oiled oak
– Item no. 2194



Loud tall cabinet smoked oak finish
– Item no. 2195



Loud tall cabinet black
– Item no. 2196

Product type: Cabinet

Design: Färg & Blanche, 2022

Material legs and top: Solid oak

Material cabinet: Plywood, oak veneer

Colours: Light oiled oak, smoked oak finish or black painted oak

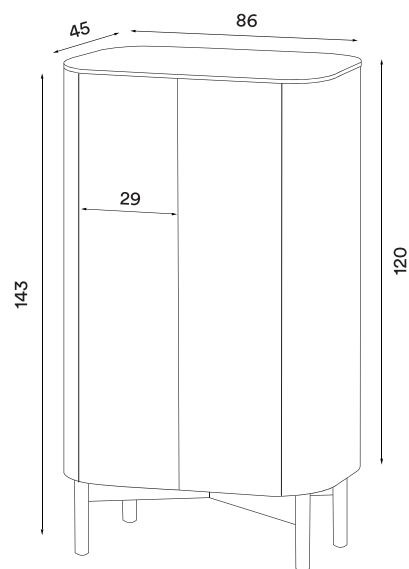
Material shelves: Glass (tempered, bronze tinted)

Max weight shelves: 25 kg (each shelf)

Net weight: 50 kg

Minimum order size: 1

Dimensions (cm):



Light / Smoked Oak: 7,574€ (Exc IVA)

Black: 8,192€ (Exc IVA)







Loud sideboard cabinet

P. 25



Loud sideboard light oiled oak – *Item no. 2197*



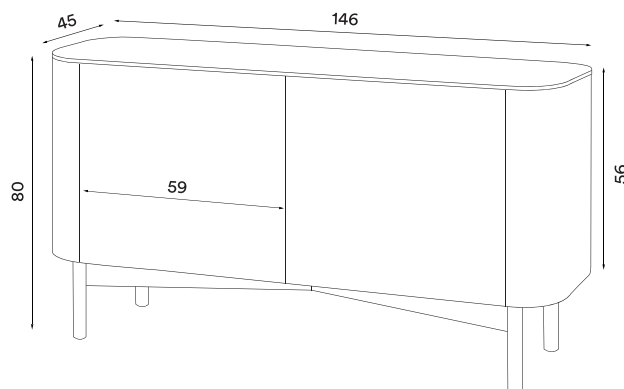
Loud sideboard smoked oak finish – *Item no. 2198*



Loud sideboard black – *Item no. 2199*

Product type: Sideboard
Design: Färg & Blanche, 2022
Material legs and top: Solid oak
Material cabinet: Plywood, oak veneer
Colours: Light oiled oak, smoked oak finish or black painted oak
Material shelves: Glass (tempered, bronze tinted)
Max weight shelves: 25 kg (each shelf)
Net weight: 50 kg
Minimum order size: 1

Dimensions (cm):



Light / Smoked Oak: 7,574€ (Exc IVA)
Black: 8,192€ (Exc IVA)



Mass side table

P. 26



Mass table black
– Item no. 2401



Mass table steel
– Item no. 2402



Mass table brass
– Item no. 2403

Product type: Side table

Design: Roece Magdassi, 2020

Material: Steel (black and steel versions),
solid brass (brass version)

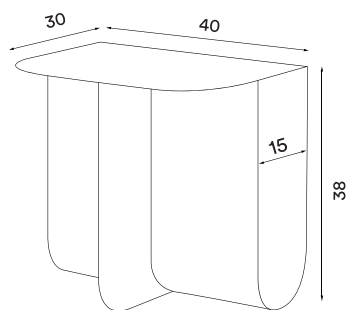
Colours: Black, brushed steel or brushed brass

Net weight (black and steel): 5.9 kg

Net weight (brass): 6.3 kg

Minimum order size: 1

Dimensions (cm):



Black: 850€ (Exc IVA)
Steel: 1,004€ (Exc IVA)
Brass: 1,700€ (Exc IVA)



Oaki dining chair

P. 27



Oaki light oak – *Item no. 2111*



Oaki smoked oak – *Item no. 2112*



Oaki black oak – *Item no. 2113*



Oaki light oak w/seat padding
– *Item no. 2118*



Oaki smoked oak w/seat padding
– *Item no. 2116*



Oaki black oak w/seat padding
– *Item no. 2117*

Product type: Dining chair

Design: Stine Aas, 2018

Material body: Solid oak

Material seat and backrest: Laminated oak veneer

Colours body, seat and backrest: Light oiled oak, smoked oak finish or black painted oak

Material seat padding: Leather (Ultra from Sørensens)

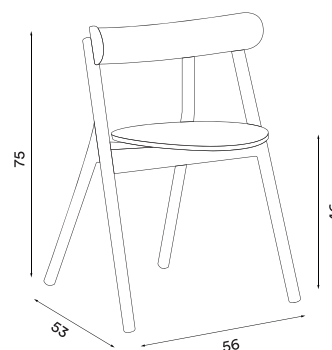
Colour seat padding: Camel (41571) (light oak version only), Chocolate (41589) (smoked oak version only) or Black (41599) (black version only)

Net weight (no padding): 4.9 kg

Net weight (with seat padding): 5.4 kg

Minimum order size: 1

Dimensions (cm):



Light / Smoked oak: 1,004€ (Exc IVA)

Black: 1,050€ (Exc IVA)

Light / Smoked oak w/seat padding: 1,531€ (Exc IVA)

Black w/seat padding: 1,546€ (Exc IVA)



Oaki lounge chair with seat padding

P. 28



Oaki lounge chair light oak with seat padding
– Item no. 2423



Oaki lounge chair smoked oak with seat padding
– Item no. 2421

Product type: Lounge chair

Design: Stine Aas, 2020

Material body: Solid oak

Material seat and backrest: Laminated oak veneer

Colours body, seat and backrest: Light oiled oak or smoked oak finish

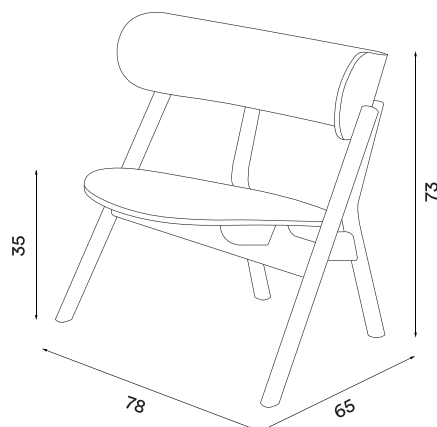
Material seat padding: Leather (Ultra from Sørensens)

Colour seat padding: Camel (41571) (light oak version only) or Chocolate (41589) (smoked oak version only)

Net weight: 9.6 kg

Minimum order size: 1

Dimensions (cm):



Oaki lounge chair with seat padding: 2,317€ (Exc IVA)



Oaki lounge chair with seat/back padding

P. 29



Oaki lounge chair black painted oak with seat and back padding
– *Item no. 2432*

Product type: Lounge chair

Design: Stine Aas, 2020

Material body: Solid oak

Material seat and backrest: Laminated oak veneer

Colours body, seat and backrest: Black painted oak

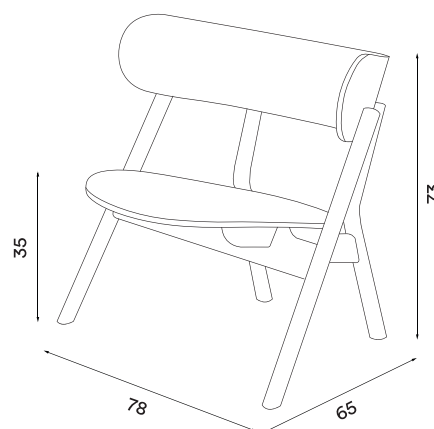
Material seat and back padding: Leather (Ultra from Sørensen)

Colour seat and back padding: Black (41599)

Net weight: 10.2 kg

Minimum order size: 1

Dimensions (cm):



Oaki lounge chair with seat/back padding: 2,781€ (Exc IVA)



Oblong lounge chair

P. 30



Oblong chair price group 0 – *Item no. 2094*

Oblong chair price group 1 – *Item no. 2101*

Oblong chair price group 2 – *Item no. 2102*

Oblong chair price group 3 – *Item no. 2103*

Oblong chair price group 4 – *Item no. 2095*

Product type: Lounge chair

Design: Mario Tsai, 2018

Material legs: Steel

Colour legs: Black (Ral 9005)

Materials seat and backrest: Plywood base, cold foam filling, textile cover

Price group 0: Reflect (Kvadrat)

Price group 1: Brusvik (Kvadrat)

Price group 2: Remix 3, Atlas (Kvadrat)

Price group 3: Steelcut Trio 3, Fiord 2, Canvas 2 (Kvadrat)

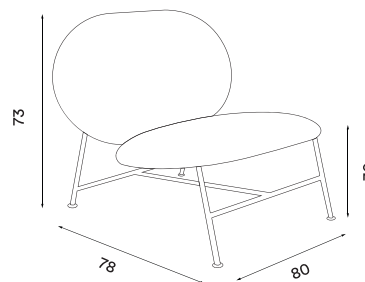
Price group 4: Vidar 3, Moss, Zero (Kvadrat)

Net weight: 14.2 kg

Minimum order size: 1

Made to order

Dimensions (cm):



Textiles Group 0: 2,009€ (Exc IVA)

Textiles Group 1: 2,163€ (Exc IVA)

Textiles Group 2: 2,317€ (Exc. IVA)

Textiles Group 3: 2,549€ (Exc. IVA)

Textiles Group 4: 2,781€ (Exc. IVA)





Oblong sofa price group 0 – *Item no. 2096*

Oblong sofa price group 1 – *Item no. 2106*

Oblong sofa price group 2 – *Item no. 2107*

Oblong sofa price group 3 – *Item no. 2108*

Oblong sofa price group 4 – *Item no. 2097*

Product type: Sofa

Design: Mario Tsai, 2018

Material legs: Steel

Colour legs: Black (Ral 9005)

Materials seat and backrest: Plywood base, cold foam filling, textile cover

Price group 0: Reflect (Kvadrat)

Price group 1: Brusvik (Kvadrat)

Price group 2: Remix 3, Atlas (Kvadrat)

Price group 3: Steelcut Trio 3, Fiord 2, Canvas 2 (Kvadrat)

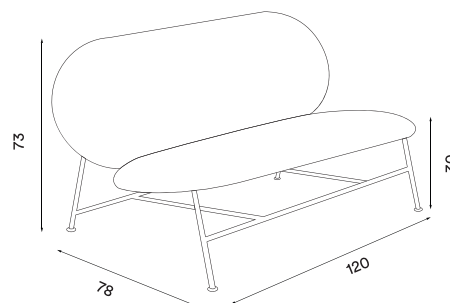
Price group 4: Vidar 3, Moss, Zero (Kvadrat)

Net weight: 21.0 kg

Minimum order size: 1

Made to order

Dimensions (cm):



Textiles Group 0: 3,091€ (Exc IVA)

Textiles Group 1: 3,555€ (Exc IVA)

Textiles Group 2: 3,633€ (Exc. IVA)

Textiles Group 3: 3,864€ (Exc. IVA)

Textiles Group 4: 4,018€ (Exc. IVA)

Pal stool

P. 32



Pal light oak mesh – *Item no. 2121*



Pal smoked oak mesh – *Item no. 2122*



Pal black oak mesh – *Item no. 2125*



Pal light oak – *Item no. 2123*



Pal smoked oak – *Item no. 2124*



Pal black oak – *Item no. 2126*

Product type: Stackable stool series

Design: Sami Kallio, 2018

Material legs: Solid oak

Material wood seat: Laminated oak veneer

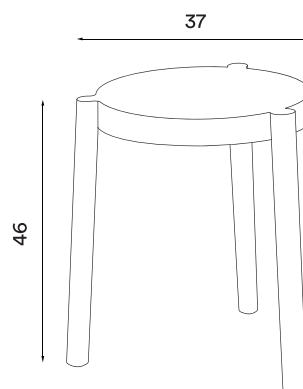
Material mesh seat: Cane mesh

Colours: Light oiled oak, smoked oak finish or black painted oak

Net weight: 2.5 kg

Minimum order size: 1

Dimensions (cm) :



Wood seat: 694€ (Exc IVA)

Mesh seat: 757€ (Exc IVA)



Pal bench

P. 33



Pal bench light oiled oak
– Item no. 2127



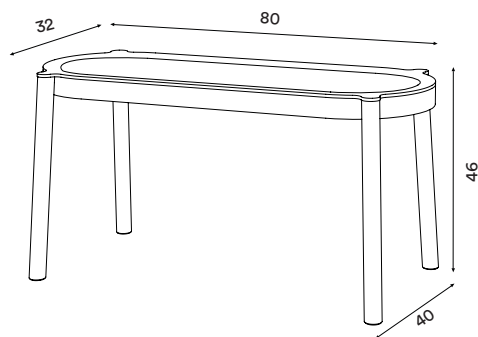
Pal bench smoked oak finish
– Item no. 2128



Pal bench black painted oak
– Item no. 2129

Product type: Bench
Design: Sami Kallio, 2020
Material legs: Solid oak
Material seat frame: Solid oak and laminated veneer
Material mesh seat: Cane mesh
Colours: Light oiled oak, smoked oak finish or black painted oak
Net weight: 4.0 kg
Minimum order size: 1

Dimensions (cm) :



Pal bench: 1,390€ (Exc IVA)

) (RRP incl. VAT)

8 890,-

) (RRP incl. VAT)

889,-



Plis sofa 2 seater

P. 34



Plis sofa 2 seater price group 0 – *Item no. 2700*

Plis sofa 2 seater price group 1 – *Item no. 2701*

Plis sofa 2 seater price group 2 – *Item no. 2702*

Plis sofa 2 seater price group 3 – *Item no. 2703*

Plis sofa 2 seater price group 4 – *Item no. 2704*

Product type: Sofa

Design: Stine Aas, 2022

Material legs: Steel

Colour legs: Black (Ral 9005)

Materials seat and backrest: Plywood base, cold foam filling, textile cover

Price group 0: Reflect (Kvadrat)

Price group 1: Brusvik (Kvadrat)

Price group 2: Remix 3, Atlas (Kvadrat)

Price group 3: Steelcut Trio 3, Fiord 2, Canvas 2 (Kvadrat)

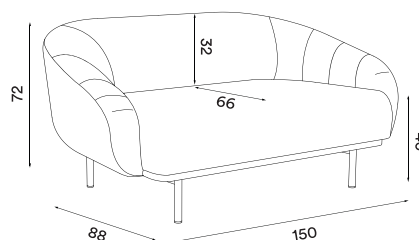
Price group 4: Vidar 3, Moss, Zero (Kvadrat)

Net weight: 41.0 kg

Minimum order size: 1

Made to order

Dimensions (cm):



Textiles Group 0: 5,100€ (Exc IVA)

Textiles Group 1: 5,796€ (Exc IVA)

Textiles Group 2: 6,337€ (Exc. IVA)

Textiles Group 3: 6,801€ (Exc. IVA)

Textiles Group 4: 7,343€ (Exc. IVA)





Plis sofa 3 seater price group 0 – *Item no. 2710*

Plis sofa 3 seater price group 1 – *Item no. 2711*

Plis sofa 3 seater price group 2 – *Item no. 2712*

Plis sofa 3 seater price group 3 – *Item no. 2713*

Plis sofa 3 seater price group 4 – *Item no. 2714*

Product type: Sofa

Design: Stine Aas, 2022

Material legs: Steel

Colour legs: Black (Ral 9005)

Materials seat and backrest: Plywood base, cold foam filling, textile cover

Price group 0: Reflect (Kvadrat)

Price group 1: Brusvik (Kvadrat)

Price group 2: Remix 3, Atlas (Kvadrat)

Price group 3: Steelcut Trio 3, Fiord 2, Canvas 2 (Kvadrat)

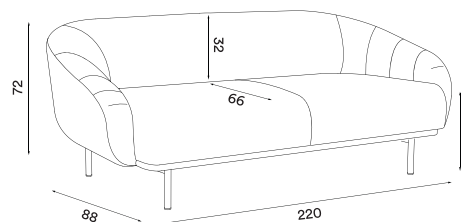
Price group 4: Vidar 3, Moss, Zero (Kvadrat)

Net weight: 58.0 kg

Minimum order size: 1

Made to order

Dimensions (cm):



Textiles Group 0: 5,951€ (Exc IVA)

Textiles Group 1: 6,801€ (Exc IVA)

Textiles Group 2: 7,497€ (Exc. IVA)

Textiles Group 3: 8,502€ (Exc. IVA)

Textiles Group 4: 9,274€ (Exc. IVA)



Shelter – *Item no. 2221*

Product type: Work desk

Design: Yonoh, 2018

Material table top: MDF, oak veneer

Colour table top: Smoked oak finish

Material body and legs: Steel

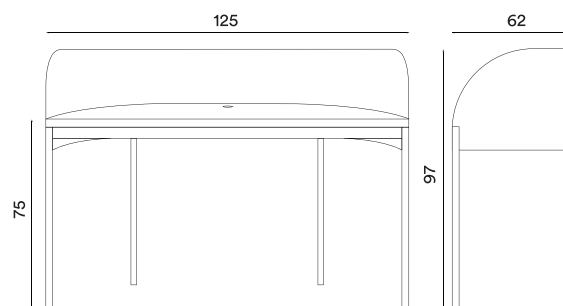
Material back screen: Perforated steel

Colour body, legs and back screen: Black
(Ral 9005)

Net weight: 33.5 kg

Minimum order size: 1

Dimensions (cm):



Shelter: 3,245€ (Exc IVA)





Stilk top small black – *Item no. 2163*
Stilk legs high – *Item no. 2152*



Stilk top medium black – *Item no. 2173*
Stilk legs medium – *Item no. 2142*



Stilk top large black – *Item no. 2183*
Stilk legs low – *Item no. 2132*



Stilk top small sand – *Item no. 2162*
Stilk legs low – *Item no. 2132*



Stilk top medium sand – *Item no. 2172*
Stilk legs medium – *Item no. 2142*



Stilk top large sand – *Item no. 2182*
Stilk legs high – *Item no. 2152*

Product type: Coffee table series

Design: Morten & Jonas, 2018

Materials table top: MDF with laminate top

Colours table top: Black or sand

Material legs and table top frame: Steel

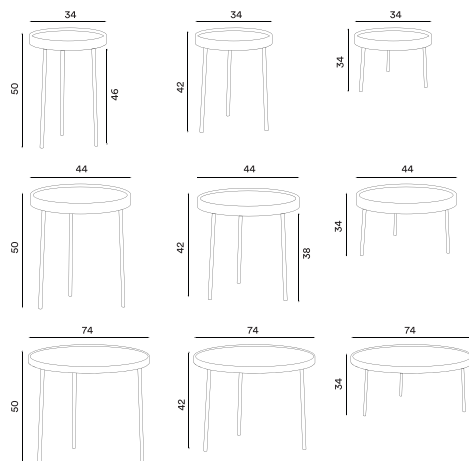
Colour legs and table top frame: Black (Ral 9005)

Net weight table tops: 2.4 kg / 3.7 kg / 9.4 kg

Net weight legs (3pcs): 0.66 kg / 0.80 kg / 0.96 kg

Minimum order size: 1

Dimensions (cm):



Small top total: 587€ (Exc IVA)

Medium top total: 665€ (Exc IVA)

Large top total: 1,082€ (Exc. IVA)



Treble bar stool black
w/black painted oak seat
– Item no. 2440



Treble bar stool black
w/light oiled oak seat
– Item no. 2442



Treble bar stool white
w/light oiled oak seat
– Item no. 2444



Treble bar stool black w/black
painted oak and black leather seat
– Item no. 2441



Treble bar stool black w/light
oiled oak and brown leather seat
– Item no. 2443



Treble bar stool white w/light
oiled oak and brown leather seat
– Item no. 2445

Product type: Bar stool

Design: Mark Braun, 2021

Material legs: Steel

Colour legs: Black or white

Material seat: Solid oak

Colour seat: Black painted oak or light oiled oak

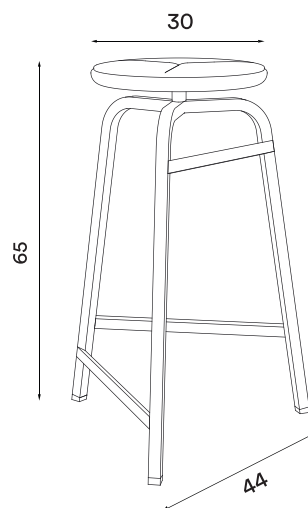
Material seat padding: Leather (Ultra from Sørensens)

Colour seat padding: Black (41599) (black version only)
or Camel (41571)

Net weight: 5.1 kg

Minimum order size: 1

Dimensions (cm) :



Wood seat: 509€ (Exc IVA)
Leather seat: 772€ (Exc IVA)

Valet wall console

P. 39



Valet wall console light oiled oak
– Item no. 2470



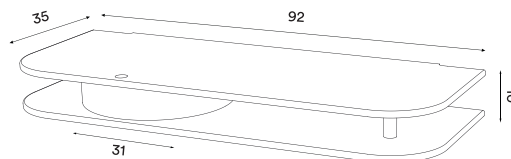
Valet wall console smoked oak finish
– Item no. 2471



Valet wall console black painted oak
– Item no. 2472

Product type: Wall console
Design: Sami Kallio, 2021
Material: MDF, oak veneer, solid oak
Colours: Light oiled oak, smoked oak finish or black painted oak
Material inside drawer: Leather (Ultra from Sørensen)
Colour inside drawer (leather): Camel (41571)
Net weight: 8.0 kg
Minimum order size: 1

Dimensions (cm) :



Valet wall console: 1,546€ (Exc IVA)



Valet wall drawer

P. 40



Valet wall drawer light oiled oak
– Item no. 2473



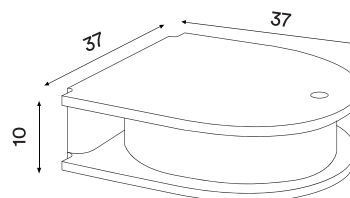
Valet wall drawer smoked oak finish
– Item no. 2474



Valet wall drawer black painted oak
– Item no. 2475

Product type: Wall drawer
Design: Sami Kallio, 2022
Material: MDF, oak veneer, solid oak
Colours: Light oiled oak, smoked oak finish or black painted oak
Material inside drawer: Leather (Ultra from Sørensen)
Colour inside drawer (leather): Camel (41571)
Net weight: 6.5 kg
Minimum order size: 1

Dimensions (cm) :



Valet wall drawer: 1,004€ (Exc IVA)



Yam lounge chair

P. 41



Yam lounge chair price group 0 – *Item no. 2010*

Yam lounge chair price group 1 – *Item no. 2011*

Yam lounge chair price group 2 – *Item no. 2012*

Yam lounge chair price group 3 – *Item no. 2013*

Yam lounge chair price group 4 – *Item no. 2019*

Product type: Pouf / Lounge chair series

Design: Mattias Stenberg, 2018

Material: Plywood base, moulded foam filling, textile cover

Price group 0: Reflect (Kvadrat)

Price group 1: Brusvik (Kvadrat)

Price group 2: Remix 3, Atlas (Kvadrat)

Price group 3: Steelcut Trio 3, Fiord 2, Canvas 2 (Kvadrat),

Ultra leather (Sørensen Leather)

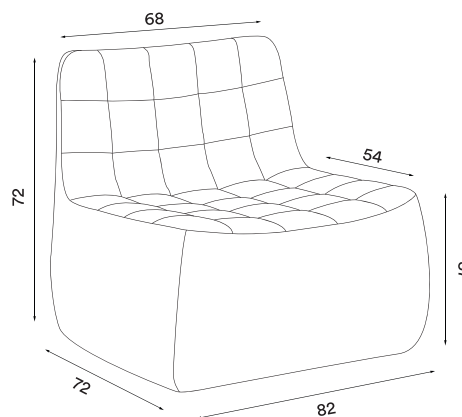
Price group 4: Vidar 3, Moss, Zero (Kvadrat)

Net weight: 20.4 kg

Minimum order size: 1

Made to order

Dimensions (cm):



Textiles Group 0: 2,937€ (Exc IVA)

Textiles Group 1: 3,091€ (Exc IVA)

Textiles Group 2: 3,245€ (Exc. IVA)

Textiles Group 3: 3,555€ (Exc. IVA)

Textiles Group 4: 4,096€ (Exc. IVA)



Yam pouf medium

P. 42



Yam medium price group 0 – *Item no. 2030*

Yam medium price group 1 – *Item no. 2031*

Yam medium price group 2 – *Item no. 2032*

Yam medium price group 3 – *Item no. 2033*

Yam medium price group 4 – *Item no. 2039*

Product type: Pouf / Lounge chair series

Design: Mattias Stenberg, 2018

Material: Plywood base, moulded foam filling, textile cover

Price group 0: Reflect (Kvadrat)

Price group 1: Brusvik (Kvadrat)

Price group 2: Remix 3, Atlas (Kvadrat)

Price group 3: Steelcut Trio 3, Fiord 2, Canvas 2 (Kvadrat),

Ultra leather (Sørensen Leather)

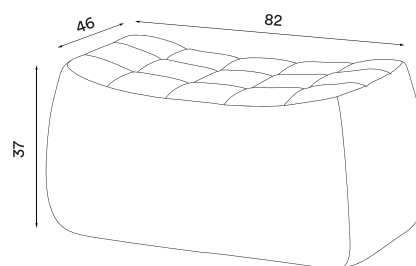
Price group 4: Vidar 3, Moss, Zero (Kvadrat)

Net weight: 11.5 kg

Minimum order size: 1

Made to order

Dimensions (cm):



Textiles Group 0: 1,700€ (Exc IVA)

Textiles Group 1: 1,854€ (Exc IVA)

Textiles Group 2: 2,241€ (Exc. IVA)

Textiles Group 3: 2,395€ (Exc. IVA)

Textiles Group 4: 2,937€ (Exc. IVA)





Yam pouf small price group 0 – *Item no. 2020*

Yam pouf small price group 1 – *Item no. 2021*

Yam pouf small price group 2 – *Item no. 2022*

Yam pouf small price group 3 – *Item no. 2023*

Yam pouf small price group 4 – *Item no. 2040*

Product type: Pouf / Lounge chair series

Design: Mattias Stenberg, 2018

Material: Plywood base, moulded foam filling, textile cover

Price group 0: Reflect (Kvadrat)

Price group 1: Brusvik (Kvadrat)

Price group 2: Remix 3, Atlas (Kvadrat)

Price group 3: Steelcut Trio 3, Fiord 2, Canvas 2 (Kvadrat),

Ultra leather (Sørensen Leather)

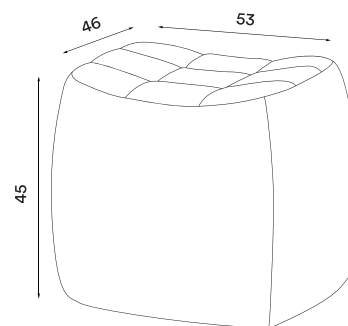
Price group 4: Vidar 3, Moss, Zero (Kvadrat)

Net weight: 11 kg

Minimum order size: 1

Made to order

Dimensions (cm):



Textiles Group 0: 1,390€ (Exc IVA)

Textiles Group 1: 1,546€ (Exc IVA)

Textiles Group 2: 1,700€ (Exc. IVA)

Textiles Group 3: 1,854€ (Exc. IVA)

Textiles Group 4: 2,163€ (Exc. IVA)

Accessories



Brim vase

P. 45



Brim vase H18
– Item no. 3150



Brim vase H28
– Item no. 3151

Product type: Vase

Design: Ann Kristin Einarsen, 2022

Material: Earthenware clay (ceramics),
glazed top and inside, coated outside

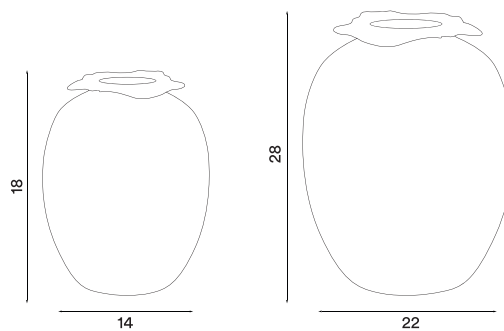
Colour: Beige

Net weight (H18): 0.8 kg

Net weight (H28): 2.0 kg

Minimum order size: 2

Dimensions (cm):



H18: 308€ (Exc IVA)

H28: 340€ (Exc IVA)

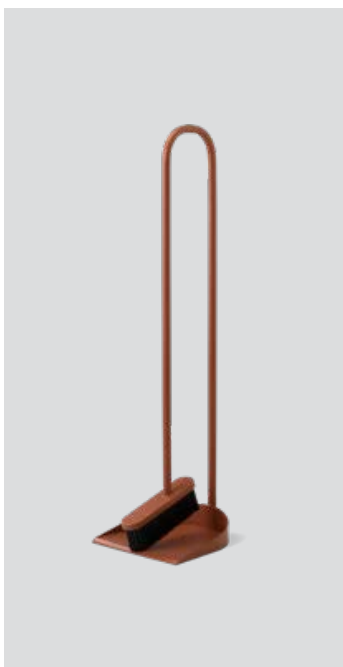


Cane broom set

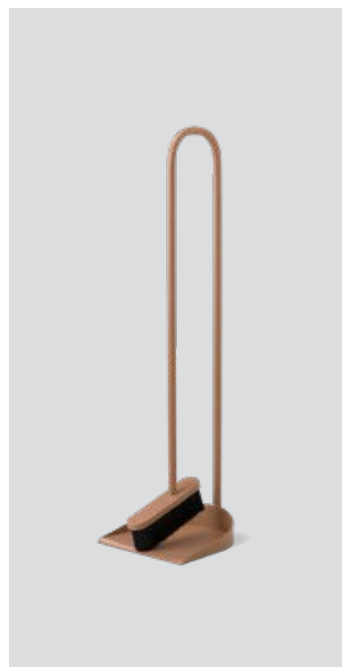
P. 46



Cane black
- Item no. 3100



Cane rust
- Item no. 3101



Cane warm beige
- Item no. 3102

Product type: Indoor broom with dustpan

Design: Gridy, 2019

Material: Steel

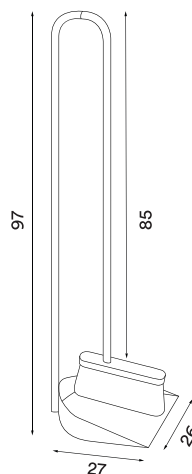
Colours: Black, rust or warm beige

Net weight: 1.9 kg

Minimum order size: 2

Spare parts available: Brush head

Dimensions (cm):



Cane broom set: 370€ (Exc IVA)



Dais stepstool

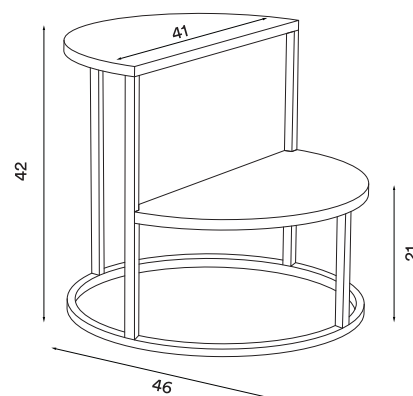
P. 47



Dais - Item no. 2241

Product type: Stepstool
Design: Gridy, 2018
Material body and steps: Steel
Colour: Black (Ral 9005)
Net weight: 11 kg
Minimum order size: 1

Dimensions (cm):

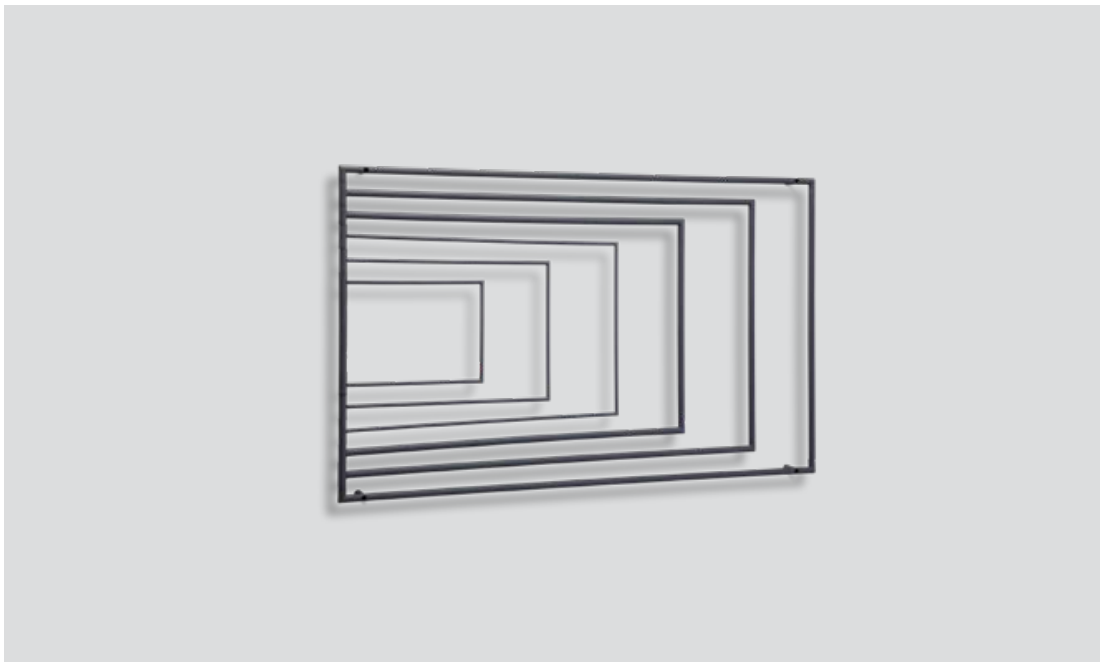


Dais stepstool: 694€ (Exc IVA)



Frame wall rack

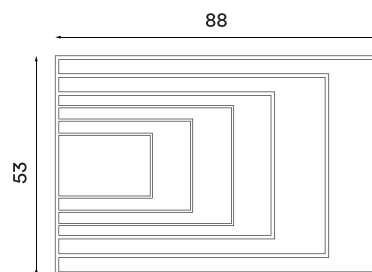
P. 48



Frame
- Item no. 3041

Product type: Drying horse wall
Design: Cecilia Xinyu Zhang, 2018
Material: Steel
Colour: Black grey
Net weight: 5 kg
Minimum order size: 2

Dimensions (cm):



Frame wall rack: 618€ (Exc IVA)



Grab watering can

P. 49



Grab plum
- *Item no. 3081*



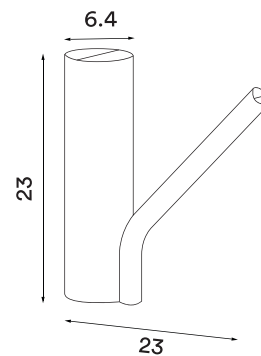
Grab dark green
- *Item no. 3082*



Grab light yellow
- *Item no. 3083*

Product type: Watering can
Design: Stine Aas, 2019
Material: Stainless steel
Colours: Plum, dark green or light yellow
Container volume: 0.6 l
Net weight: 0.75 kg
Minimum order size: 4

Dimensions (cm):



Grab watering can: 216€ (Exc IVA)



Granny candle holder

P. 50



Granny H11.5 black
- Item no. 806



Granny H11.5 white
- Item no. 808



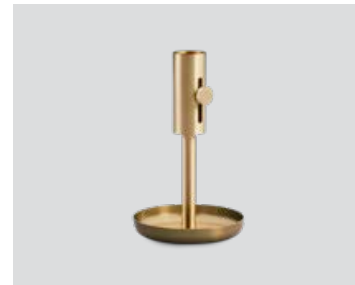
Granny H11.5 brass
- Item no. 805



Granny H16 black
- Item no. 807



Granny H16 white
- Item no. 809



Granny H16 brass
- Item no. 804

Product type: Candle holder series

Design: Rudi Wulff, 2015

Materials: Steel and brass (black and white versions), solid brass (brass version)

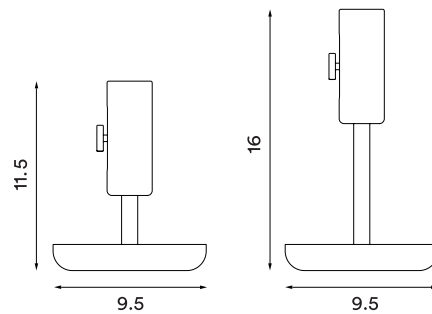
Colours: Black, white or brass

Net weight H11.5: 0.18 kg (black and white versions), 0.26 kg (brass version)

Net weight H16: 0.20 kg (black and white versions), 0.28 kg (brass version)

Minimum order size: 4

Dimensions (cm):



Low Black/White: 77€ (Exc. IVA)

High Black/White: 86€ (Exc. IVA)

Low Brass: 123€ (Exc. IVA)

High Brass: 138€ (Exc. IVA)



Granny candle holder

P. 51



Granny H32.5 black
- Item no. 3144



Granny H32.5 white
- Item no. 3142



Granny H32.5 brass
- Item no. 3140



Granny H44 black
- Item no. 3145



Granny H44 white
- Item no. 3143



Granny H44 brass
- Item no. 3141

Product type: Candle holder series

Design: Rudi Wulff, 2022

Materials: Steel and brass (black and white versions), solid brass (brass version)

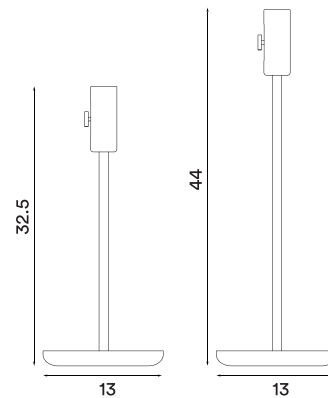
Colours: Black, white or brass

Net weight H32.5: 0.5 kg (black and white versions), 0.6 kg (brass version)

Net weight H44: 0.5 kg (black and white versions), 0.6 kg (brass version)

Minimum order size: 2

Dimensions (cm):



H32.5 Black/White: 138€ (Exc. IVA)

H44 Black/White: 154€ (Exc. IVA)

H32.5 Brass: 231€ (Exc. IVA)

H44 Brass: 247€ (Exc. IVA)



Mim outdoor broom

P. 52



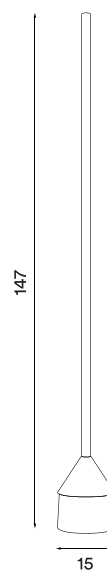
Mim black/black
- Item no. 3110



Mim black/yellow
- Item no. 3111

Product type: Outdoor broom
Design: Vera & Kyte, 2019
Material body: Anodized aluminium
Colour body: Black
Colour brush and hanging loop: Black or light yellow
Net weight: 1.1 kg
Minimum order size: 2
Spare parts available: Brush head

Dimensions (cm):

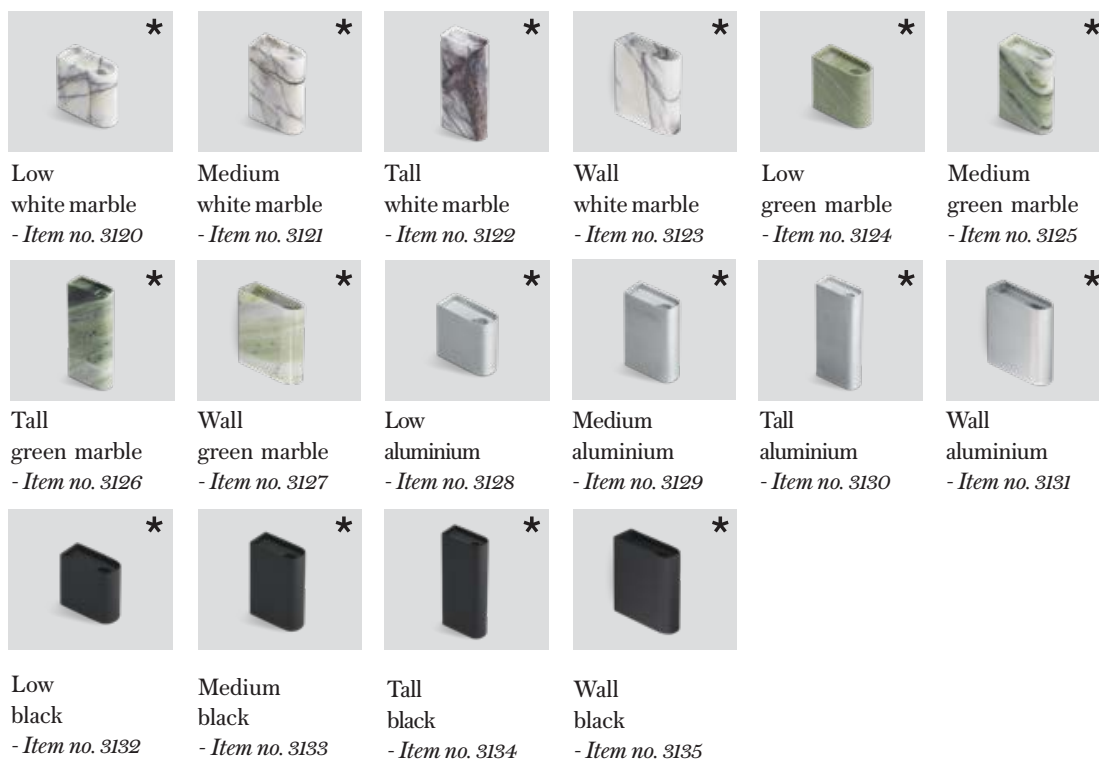


Mim outdoor broom: 277€ (Exc IVA)



Monolith candle holder

P. 53



Product type: Candle holder series

Design: Morten & Jonas, 2022

Materials: White variegated Lilac marble stone (white marble version), Green Verde Prato marble stone (green marble version), aluminium (aluminium version) or steel (black version)

Colours: Mixed white marble, mixed green marble, brushed aluminium or black

Net weight low: 0.7 kg (marble), 0.6 kg (aluminium), 0.7 kg (black)

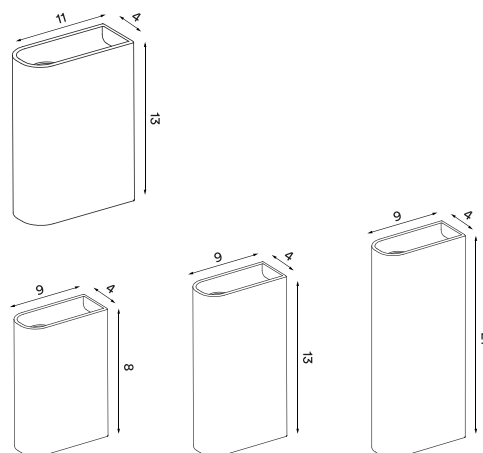
Net weight medium: 1.2 kg (marble), 0.7 kg (aluminium), 0.9 kg (black)

Net weight large: 1.9 kg (marble), 0.2 kg (aluminium), 1.4 kg (black)

Net weight wall: 1.5 kg (marble), 0.8 kg (aluminium), 0.7 kg (black)

Minimum order size: 2

Dimensions (cm):



Low: 201€ (Exc. IVA)

Medium: 216€ (Exc. IVA)

Tall: 261€ (Exc. IVA)

Wall: 231€ (Exc. IVA)



Nest wall hook

P. 54



Nest light yellow
- Item no. 3050



Nest pink
- Item no. 3051



Nest dark blue
- Item no. 3052



Nest dark green
- Item no. 3054



Nest warm beige
- Item no. 3056



Nest dark grey
- Item no. 3057



Nest black matt
- Item no. 3058



Nest white matt
- Item no. 3059



Nest aluminium
- Item no. 3060

Product type: Wall hook / storage

Design: Stine Aas, 2018

Materials hook: Aluminium

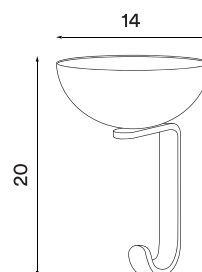
Materials cup: Steel or aluminium (aluminium version only)

Colours: Light yellow, pink, dark blue, dark green, warm beige, dark grey, black matt, white matt or brushed aluminium

Net weight: 0.33 kg

Minimum order size: 4

Dimensions (cm):

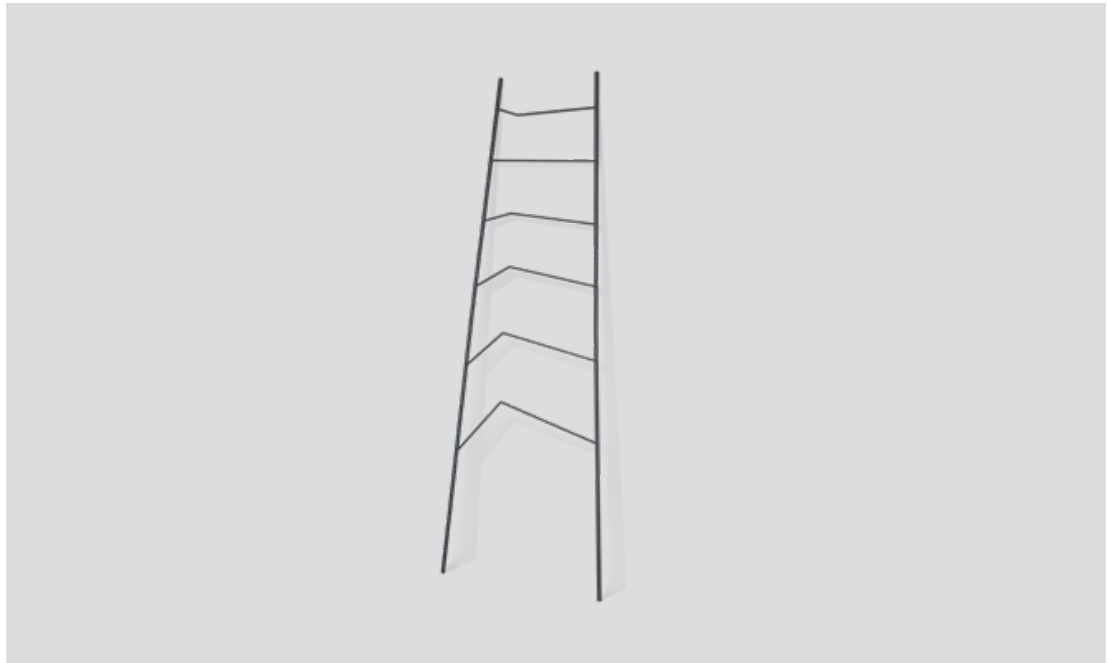


Nest wall hook: 91€ (Exc IVA)



Nook ladder rack

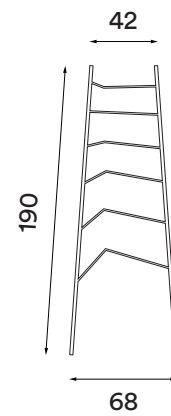
P. 55



Nook
- Item no. 3042

Product type: Ladder rack
Design: Cecilia Xinyu Zhang, 2018
Material: Steel
Colour: Black grey
Net weight: 3.6 kg
Minimum order size: 2

Dimensions (cm):



Nook ladder rack: 462€ (Exc IVA)



Oasis planter

P. 56

					
Small green/ terracotta - <i>Item no. 3011</i>	Small white/ terracotta - <i>Item no. 3012</i>	Small dark brown/ terracotta - <i>Item no. 3013</i>	Small black/ brown - <i>Item no. 3014</i>	Small terracotta/ terracotta - <i>Item no. 3025</i>	Small dark brown/ dark brown - <i>Item no. 3026</i>
					
Medium green/ terracotta - <i>Item no. 3015</i>	Medium white/ terracotta - <i>Item no. 3016</i>	Medium dark brown/terracotta - <i>Item no. 3017</i>	Medium black/ brown - <i>Item no. 3018</i>	Medium terracotta/ terracotta - <i>Item no. 3027</i>	Medium dark brown/dark brown - <i>Item no. 3028</i>
					
Large green/ terracotta - <i>Item no. 3021</i>	Large white/ terracotta <i>Item no. 3022</i>	Large dark brown/ terracotta - <i>Item no. 3023</i>	Large black/ brown - <i>Item no. 3024</i>	Large terracotta/ terracotta - <i>Item no. 3029</i>	Large dark brown/ dark brown - <i>Item no. 3030</i>

Product type: Planter series

Design: Ann Kristin Einarsen, 2018

Materials top part: Unglazed terracotta

Materials bottom part: Glazed or unglazed terracotta (dark brown/dark brown and terracotta/terracotta versions only)

Colours top part: Natural terracotta or brown terracotta (black/brown and dark brown/dark brown versions only)

Colours bottom part: Green, white, dark brown, black, natural terracotta or dark brown terracotta

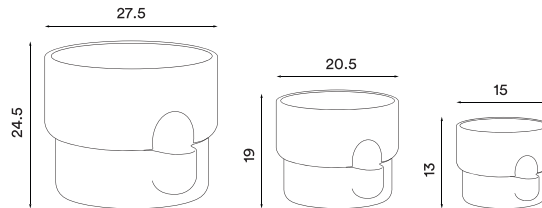
Net weight small: 1.1 kg

Net weight medium: 1.9 kg

Net weight large: 3.6 kg

Minimum order size: 4 (small), 2 (medium and large)

Dimensions (cm):



Small: 138€ (Exc. IVA)

Medium: 247€ (Exc. IVA)

Large: 370€ (Exc. IVA)



Observe tray

P. 57



Observe D32 smoked ash
- *Item no. 3034*



Observe D32 coral red
- *Item no. 3035*



Observe D32 dusty green
- *Item no. 3036*

Product type: Tray

Design: Ayla Gürsoy, 2022

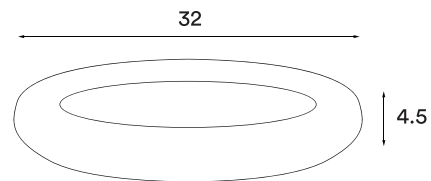
Material: Solid ash

Colours: Smoked ash finish (oil),
coral red or dusty green (paint)

Net weight: 1.8 kg

Minimum order size: 2

Dimensions (cm):



Observe tray: 386€ (Exc IVA)



Peek mirror

P. 58



Peek circular small
- Item no. 3071



Peek oval small
- Item no. 3072



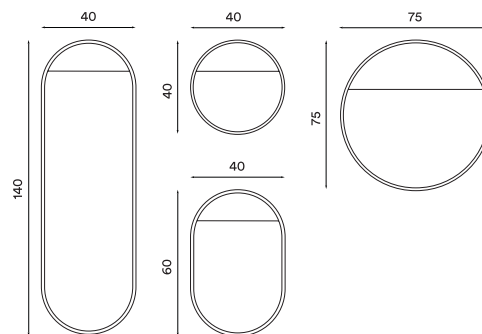
Peek circular large
- Item no. 3073



Peek oval large
- Item no. 3074

Product type: Wall mirror series
Design: Elina Ulvio, 2018
Materials: Steel, tinted mirror glass
Colour: Black
Net weight circular small: 2.2 kg
Net weight oval small: 4.1 kg
Net weight circular large: 8.6 kg
Net weight oval large: 11.0 kg
Outer package small: 2
Minimum order size: 1

Dimensions (cm):



Circular Small: 340€ (Exc. IVA)
Oval Small: 494€ (Exc. IVA)
Circular Large: 1,004€ (Exc. IVA)
Oval Large: 1,158€ (Exc. IVA)



Podium board

P. 59



Podium L40 white marble
- Item no. 3002



Podium L65 white marble
- Item no. 3004



Podium L90 white marble
- Item no. 3006



Podium L40 black basalt stone
- Item no. 3003



Podium L65 black basalt stone
- Item no. 3005



Podium L90 black basalt stone
- Item no. 3007

Product type: Podium board series

Design: Jomi Evers, 2022

Materials: White Carrara marble stone (white version), or black basalt stone (black version)

Colours: White marble or black basalt

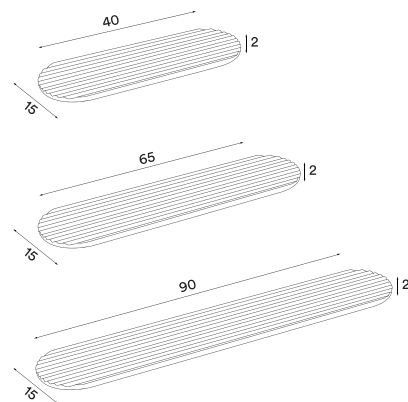
Net weight L40: 3.0 kg

Net weight L65: 4.5 kg

Net weight L90: 6.5 kg

Minimum order size: 2

Dimensions (cm):



L40: 308€ (Exc. IVA)

L65: 416€ (Exc. IVA)

L90: 494€ (Exc. IVA)



Row rugs

P. 60



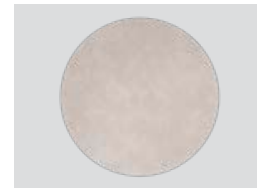
Row rug medium light grey
– Item no. 3210



Row rug large light grey
– Item no. 3200



Row rug circular light grey
– Item no. 3220



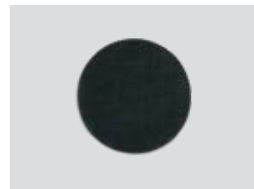
Row rug circular large light grey – Item no. 3230



Row rug medium dark green
– Item no. 3211



Row rug large dark green
– Item no. 3201



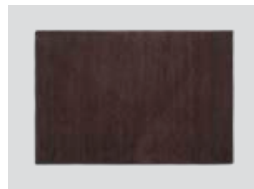
Row rug circular dark green
– Item no. 3221



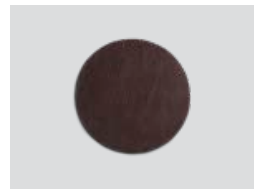
Row rug circular large dark green – Item no. 3231



Row rug medium dark brown
– Item no. 3212



Row rug large dark brown
– Item no. 3202



Row rug circular dark brown
– Item no. 3222



Row rug circular large dark brown – Item no. 3232

Product type: Rug series

Design: Studio Terhedebrügge, 2020

Material: New Zealand wool

Colours: Light grey, dark green or dark brown

Rug height: Ca. 16 mm

Net weight medium (170 x 140cm): 12.0 kg

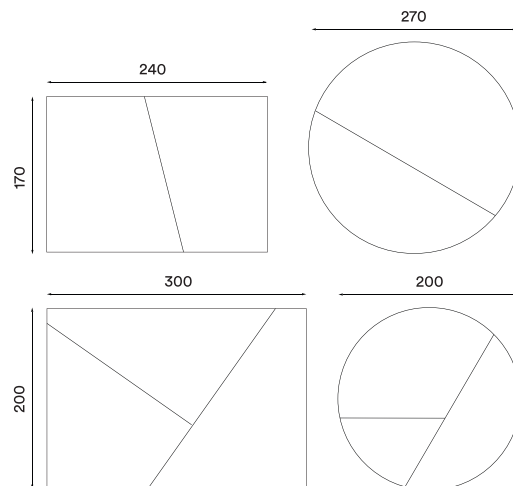
Net weight large (200 x 300cm): 19.5 kg

Net weight circular (ø200cm): 10.5 kg

Net weight circular (ø270cm): 21.0 kg

Minimum order size: 1

Dimensions (cm):



Medium: 2,317€ (Exc. IVA)

Large: 3,401€ (Exc. IVA)

Circular: 1,700€ (Exc. IVA)

Circular Large: 3,696€ (Exc. IVA)



Trace flashlight

P. 61



Trace
- Item no. 3090

Product type: Flashlight

Design: Gridy, 2019

Material: Anodized aluminium and glass

Colour: Black

Light source: CREE LED 3 W, 4400 K.

Step dimmable, 100 / 240 / 360 lm.

Battery: USB rechargeable (Lithium Ion)

Battery duration: 4 - 15 hours

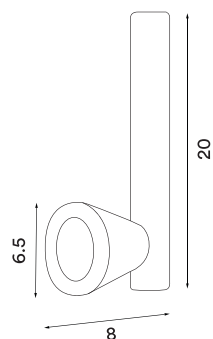
Charging cable: USB-C / USB-A

Charging time: 5 hours (fully charged)

Net weight: 0.35 kg (incl. battery)

Minimum order size: 4

Dimensions (cm):



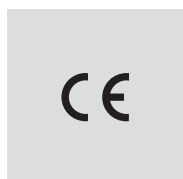
Trace flashlight: 277€ (Exc IVA)



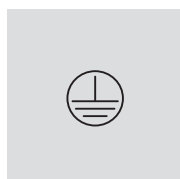


Lighting

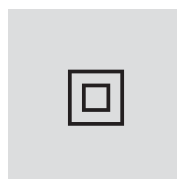
Symbols



CE approval



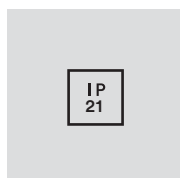
Class 1



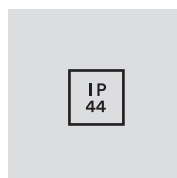
Class 2



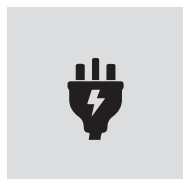
IP20



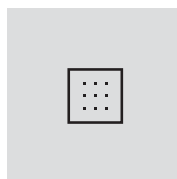
IP21



IP44



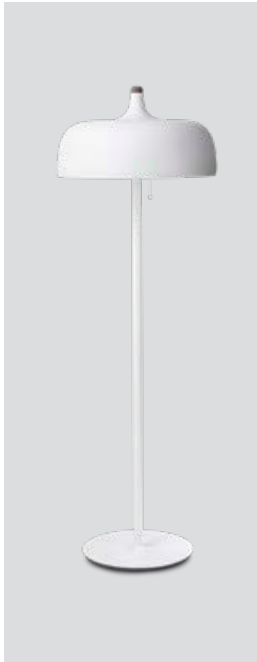
UK plug
available



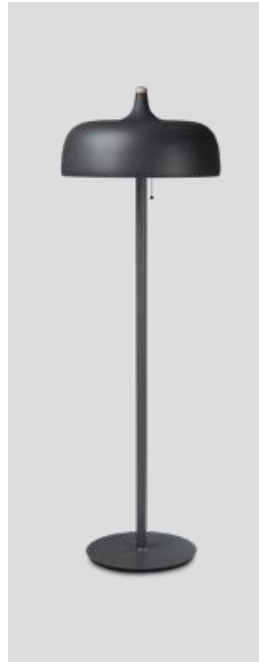
LED
(Light source)

Acorn floor

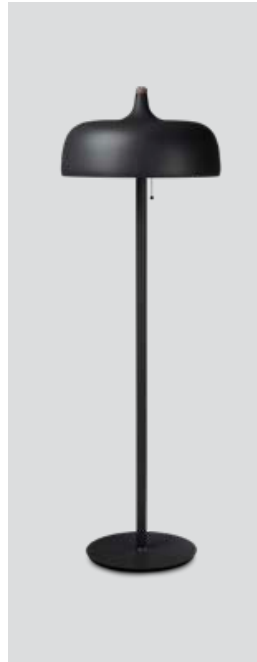
P. 64



Acorn floor white matt
– Item no. 549



Acorn floor grey matt
– Item no. 550



Acorn floor black matt
– Item no. 551



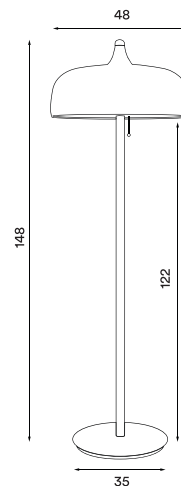
Light beech top



Dark walnut top

Product type: Floor lamp
Design: Atle Tveit, 2021
Shade material: Aluminium
Shade and body colour: White, grey or black
Shade inner colour: White
Body material: Steel
Wooden top part: Light beech or dark walnut
(both colours are included)
Wire: White (white version), or black (grey and black versions), 200 cm
Switch: Pull string switch (on/off)
Bulb: E27, Max. 3 x 13 W LED only
Voltage: 220V - 240V - 50/60Hz
Net weight: 13.7 kg
Minimum order size: 1
Spare parts available: Wooden parts

Dimensions and light direction:



Recommended bulbs:

LED – 11 W



Acorn floor: 1,546€ (Exc IVA)



Acorn pendant

P. 65



Acorn pendant white matt
– Item no. 543

Acorn pendant grey matt
– Item no. 544

Acorn pendant black matt
– Item no. 545

Product type: Pendant lamp

Design: Atle Tveit, 2012

Shade material: Aluminium

Shade colour: White, grey or black

Shade inner colour: White

Wooden parts: Light beech or dark walnut
(both colours are included)

Wire: White (white version), grey (grey version) or black (black version), silk 370 cm

Bulb: E27, Max. 100 W

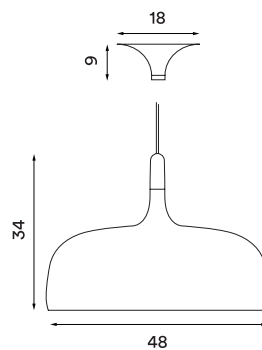
Voltage: 220V - 240V - 50Hz

Net weight: 2.3 kg

Minimum order size: 1

Spare parts available: Ceiling mounted canopy, wooden parts

Dimensions and light direction:



Recommended bulb:



Acorn pendant: 694€ (Exc IVA)



Balancer floor

P. 66



Balancer floor
– Item no. 665

Product type: Floor lamp

Design: Yuue, 2017

Base, body and shade material: Steel

Base, body and shade colour: Black matt

Light diffuser material: Mouth blown glass

Light diffuser colour: Opal white matt

Wire: Black, 200 cm

Dimmer switch: Black (on wire)

Bulb: E27, Max. 60 W (dimnable)

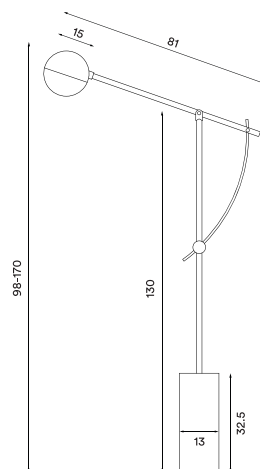
Voltage: 220V - 240V - 50Hz

Net weight: 16.0 kg

Minimum order size: 1

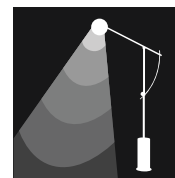
Spare parts available: Light diffuser glass

Dimensions and light direction:



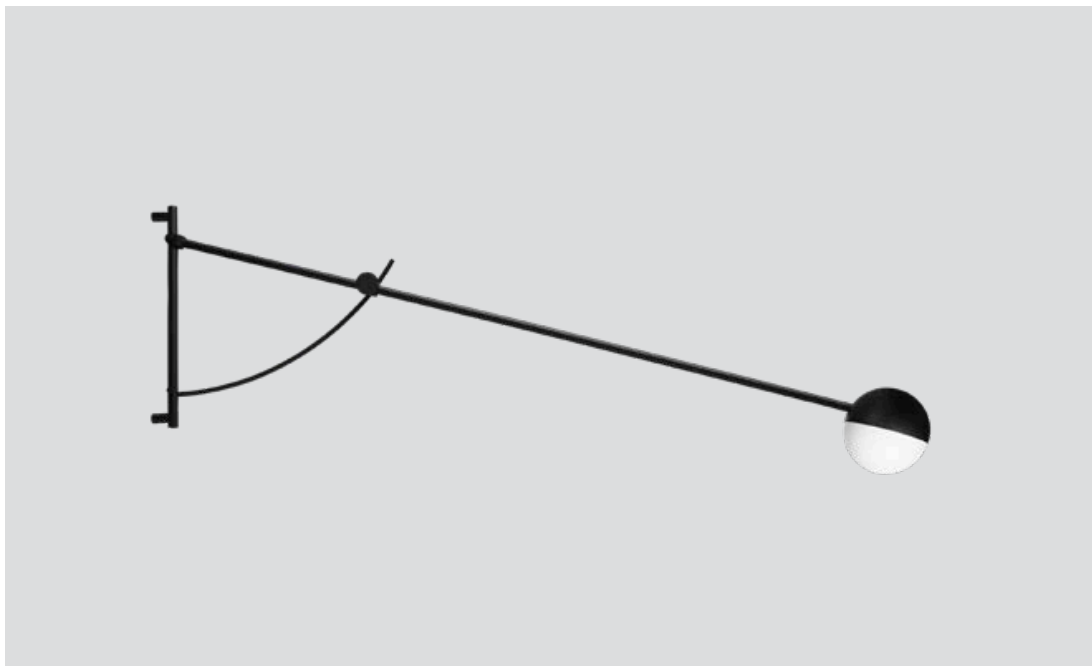
Recommended dimmable bulb:

 LED – 11 W



Balancer floor: 1,700€ (Exc. IVA)

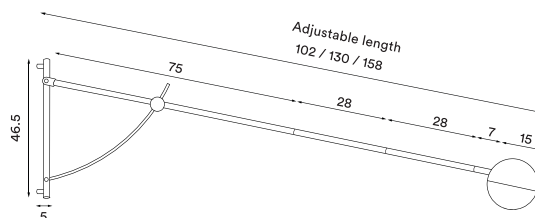




Balancer wall
– Item no. 670

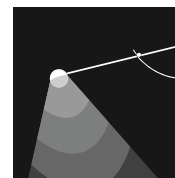
Product type: Wall lamp
Design: Yuue, 2020
Base, body and shade material: Steel
Base, body and shade colour: Black matt
Light diffuser material: Mouth blown glass
Light diffuser colour: Opal white matt
Wire: Black, 200-260 cm (without switch)
Bulb: E27, Max. 60 W
Voltage: 220V - 240V - 50/60Hz
Net weight: 2.7 kg
Minimum order size: 1
Spare parts available: Light diffuser glass

Dimensions and light direction:



Recommended bulb:

LED – 11 W



Balancer wall: 1,390€ (Exc. IVA)

Balancer mini wall/table

P. 68



Balancer mini wall/table black
– Item no. 700

Balancer mini wall/table cherry red
– Item no. 702

Balancer mini wall/table steel
– Item no. 704

Product type: Wall and table lamp

Design: Yuue, 2022

Body and shade material: Steel

Body and shade colour: Black, cherry red or steel

Light diffuser material: Mouth blown glass

Light diffuser colour: Opal white matt

Wire: Black, 200 cm

Switch: 3-step touch dimmer (on lamp)

Bulb: Integrated LED 6 W, 550 lm, 2700 K, CRI > 85, step dim

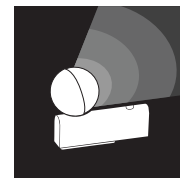
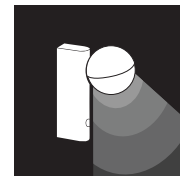
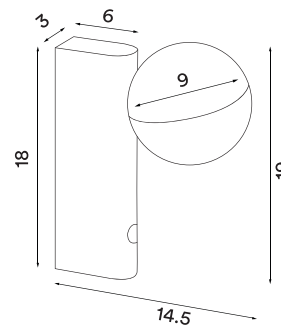
Voltage: 220V - 240V - 50/60Hz

Net weight: 1.0 kg

Minimum order size: 2

Spare parts available: Light diffuser glass

Dimensions and light direction:



Light source included:

LED 6 W - Energy class: G



Balancer mini wall/table: 494€ (Exc. IVA)



Birdy floor

P. 69



Birdy floor black / brass
– Item no. 620



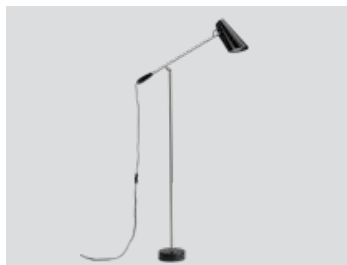
Birdy floor white / steel
– Item no. 621



Birdy floor grey / steel
– Item no. 622



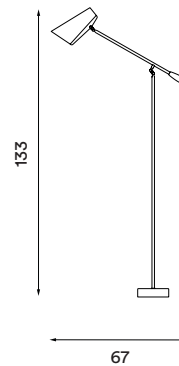
Birdy floor black / black
– Item no. 623



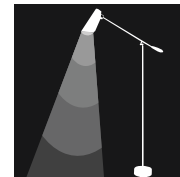
Birdy floor black / steel
– Item no. 624

Product type: Floor lamp
Design: Birger Dahl, 1952
Shade material: Aluminium
Shade, base and handle colours: White, grey or black (shade inner colour is same as outer colour)
Body material: Steel
Body and joints colour: Steel, brass or black
Wire: Black (grey and black versions only) or white (white version only), 200 cm (with on/off switch)
Bulb: E27, Max. 11 W LED only
Voltage: 220V - 240V - 50/60Hz
Net weight: 5.0 kg
Minimum order size: 1

Dimensions and light direction:



Recommended bulb:



Birdy floor: 850€ (Exc. IVA)

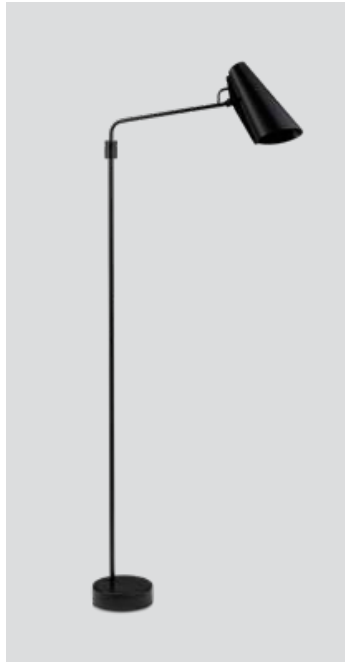


Birdy floor swing

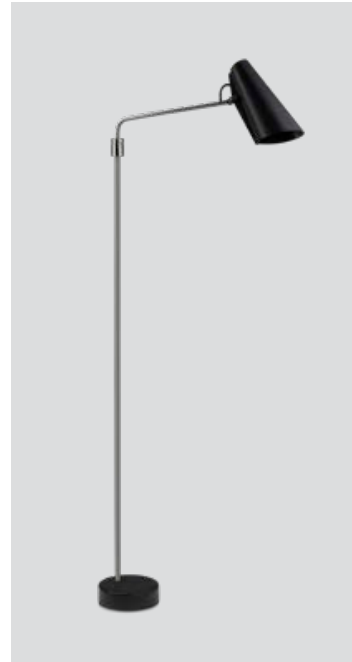
P. 70



Birdy floor swing black / brass
– Item no. 628



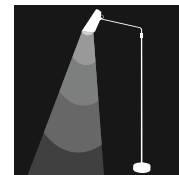
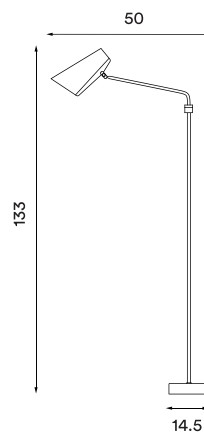
Birdy floor swing black / black
– Item no. 629



Birdy floor swing black / steel
– Item no. 609

Product type: Floor lamp
Design: Birger Dahl, 1952/2021
Shade material: Aluminium
Shade and base colours: Black (shade inner colour is same as outer colour)
Body material: Steel
Body and joints colour: Brass, black or steel
Wire: Black, 200 cm
Switch: On/off switch on the shade
Bulb: E27, Max. 11 W LED only
Voltage: 220V - 240V - 50/60Hz
Net weight: 5.3 kg
Minimum order size: 1

Dimensions and light direction:



Recommended bulb:

LED – 7 W



Birdy floor swing: 850€ (Exc. IVA)



Birdy table

P. 71



Birdy table black / brass
– Item no. 600



Birdy table white / steel
– Item no. 601



Birdy table grey / steel
– Item no. 602



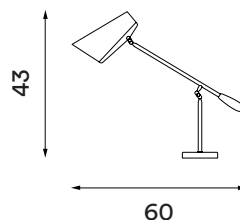
Birdy table black / black
– Item no. 604



Birdy table black / steel
– Item no. 605

Product type: Table lamp
Design: Birger Dahl, 1952
Shade material: Aluminium
Shade, base and handle colours: White, grey or black (shade inner colour is same as outer colour)
Body material: Steel
Body and joints colour: Steel, brass or black
Wire: Black (grey and black versions only) or white (white version only), 200 cm (with switch)
Bulb: E27, Max. 11 W LED only
Voltage: 220V - 240V - 50/60Hz
Net weight: 1.9 kg
Minimum order size: 2

Dimensions and light direction:



Recommended bulb:

 LED - 7 W



Birdy table: 618€ (Exc. IVA)



Birdy table swing

P. 72



Birdy table swing black / brass
– Item no. 606



Birdy table swing black / black
– Item no. 607



Birdy table swing black / steel
– Item no. 608

Product type: Table lamp

Design: Birger Dahl, 1952/2021

Shade material: Aluminium

Shade and base colours: Black (shade inner colour is same as outer colour)

Body material: Steel

Body and joints colour: Brass, black or steel

Wire: Black, 200 cm

Switch: On/off switch on the shade

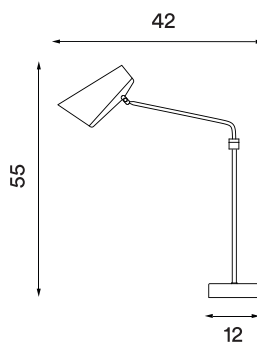
Bulb: E27, Max. 11 W LED only

Voltage: 220V - 240V - 50/60Hz

Net weight: 2.9 kg

Minimum order size: 2

Dimensions and light direction:



Recommended bulb:

LED - 7 W

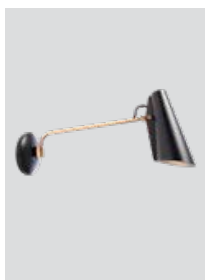


Birdy table: 618€ (Exc. IVA)



Birdy wall

P. 73



Birdy wall swing
black / brass
– Item no. 610



Birdy wall swing
white / steel
– Item no. 611



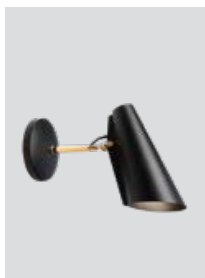
Birdy wall swing
grey / steel
– Item no. 612



Birdy wall swing
black / black
– Item no. 613



Birdy wall swing
black / steel
– Item no. 614



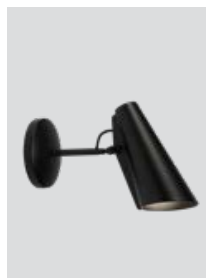
Birdy wall short
black / brass
– Item no. 615



Birdy wall short
white / steel
– Item no. 616



Birdy wall short
grey / steel
– Item no. 617



Birdy wall short
black / black
– Item no. 618



Birdy wall short
black / steel
– Item no. 619

Product type: Wall lamp

Design: Birger Dahl, 1952

Shade material: Aluminium

Shade and base colours: White, grey or black
(shade inner colour is same as outer colour)

Body material: Steel

Body and joints colour: Steel, brass or black

Wire: Black (grey or black versions only) or white
(white version only), 200 cm

Switch: On/off switch on the wire

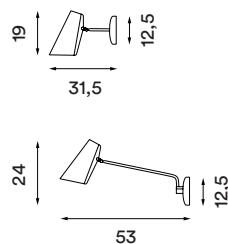
Bulb: E27, Max. 11 W LED only

Voltage: 220V - 240V - 50/60Hz

Net weight: Birdy wall swing: 0.8 kg,
Birdy wall short: 0.7 kg

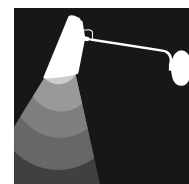
Minimum order size: 2

Dimensions and light direction:



Recommended bulb:

 LED – 7 W



Long arm: 572€ (Exc. IVA)

Short arm: 509€ (Exc. IVA)



Blush pendant

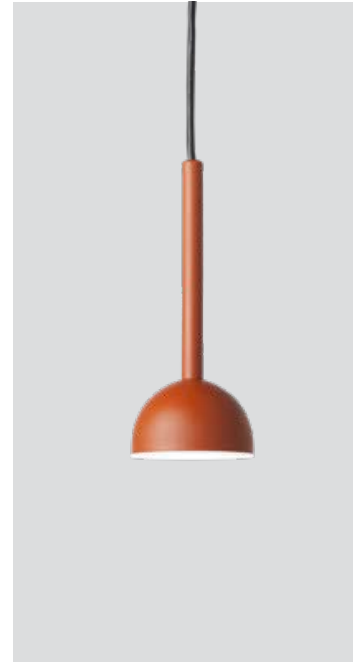
P. 74



Blush pendant black matt
– Item no. 115



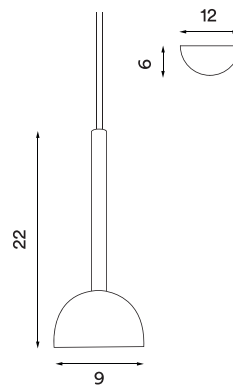
Blush pendant white matt
– Item no. 119



Blush pendant rust
– Item no. 118

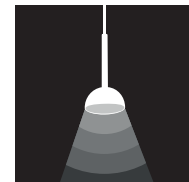
Product type: Pendant lamp
Design: Morten & Jonas, 2019
Shade and body material: Steel
Shade and body colours: Black, white or rust
Light diffuser material: Opal acrylic
Wire: Black (black and rust version) or white (white version), 370 cm
Bulb: Integrated and dimmable LED 6 W, 550 lm, 2700 K, CRI > 85
Voltage: 220V - 240V - 50/60Hz
Net weight: 0.70 kg
Minimum order size: 2
Spare parts available: LED module

Dimensions and light direction:



Light source included:

LED 6 W - Energy class: G



Blush pendant: 370€ (Exc. IVA)

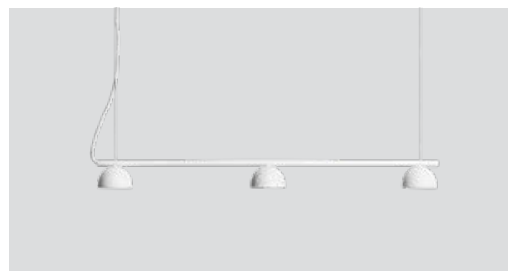


Blush pendant rail 3

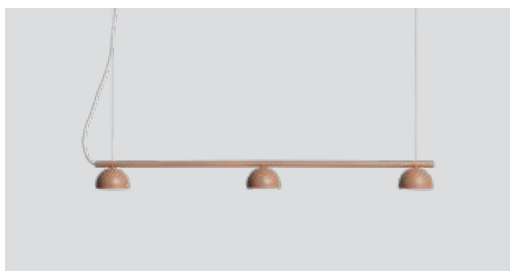
P. 75



Blush pendant rail 3 black
– Item no. 150



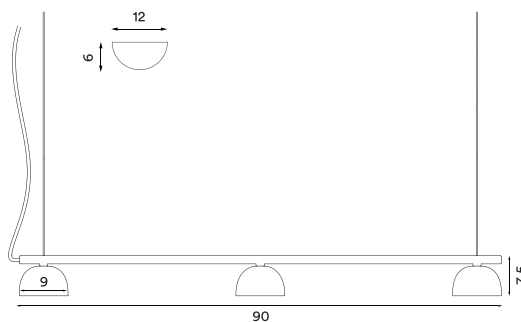
Blush pendant rail 3 white
– Item no. 152



Blush pendant rail 3 warm beige
– Item no. 154

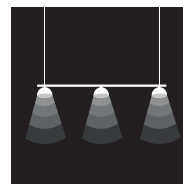
Product type: Pendant lamp
Design: Morten & Jonas, 2022
Shade and body material: Steel
Shade and body colours: Black, white or warm beige
Light diffuser material: Opal acrylic
Wire: Black (black version) or white (white and warm beige version), 370 cm
Steel hanging wire: 360 cm
Bulb: Integrated and dimmable LED 3 x 6 W, 1650 lm, 2700 K, CRI > 85
Voltage: 220V - 240V - 50/60Hz
Net weight: 1.8 kg
Minimum order size: 2
Spare parts available: LED module

Dimensions and light direction:



Light source included:

LED 3 x 6 W - Energy class: G

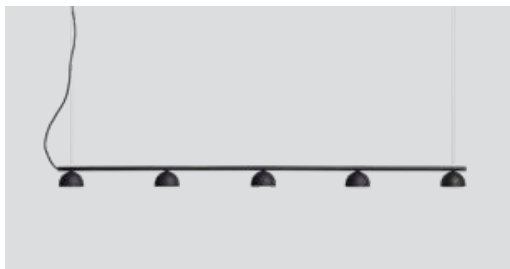


Blush pendant rail 3: 819€ (Exc. IVA)

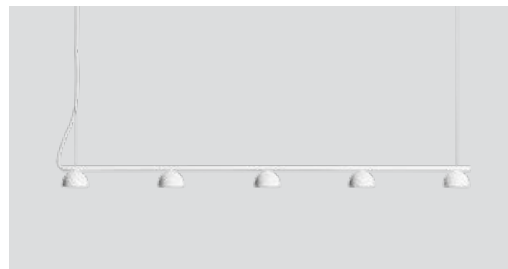


Blush pendant rail 5

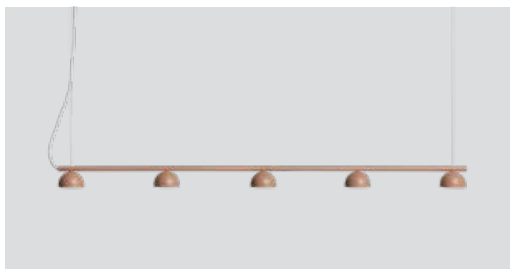
P. 76



Blush pendant rail 5 black
– Item no. 151



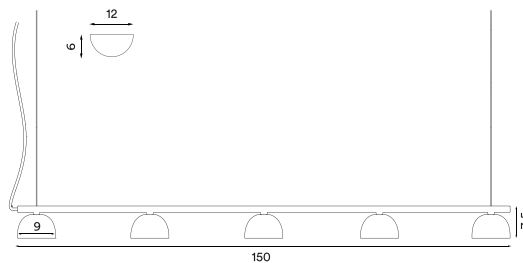
Blush pendant rail 5 white
– Item no. 153



Blush pendant rail 5 warm beige
– Item no. 155

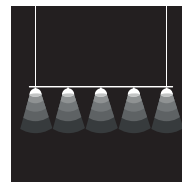
Product type: Pendant lamp
Design: Morten & Jonas, 2022
Shade and body material: Steel
Shade and body colours: Black, white or warm beige
Light diffuser material: Opal acrylic
Wire: Black (black version) or white (white and warm beige version), 370 cm
Steel hanging wire: 360 cm
Bulb: Integrated and dimmable LED 5 x 6 W, 3300 lm, 2700 K, CRI > 85
Voltage: 220V - 240V - 50/60Hz
Net weight: 2.4 kg
Minimum order size: 2
Spare parts available: LED module

Dimensions and light direction:



Light source included:

LED 5 x 6 W - Energy class: G



Blush pendant rail 5: 1,158€ (Exc. IVA)





Blush wall black matt
– Item no. 113



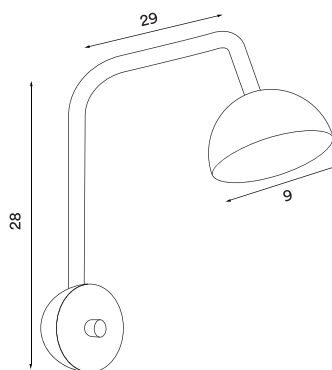
Blush wall pink
– Item no. 111



Blush wall white matt
– Item no. 114

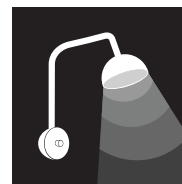
Product type: Wall lamp
Design: Morten & Jonas, 2018
Shade material: Steel
Body materials: Steel and silicone, brass flexible arm
Shade and body colours: Black, pink or white
Light diffuser material: Opal acrylic
Wire: Black (black version only) or white (pink or white versions), 200 cm
Switch: Dimmer switch on the wall base
Bulb: Integrated and dimmable LED 6 W, 550 lm, 2700 K, CRI > 85
Voltage: 220V - 240V - 50/60Hz
Net weight: 0.60 kg
Minimum order size: 2
Spare parts available: LED module

Dimensions and light direction:



Light source included:

LED 6 W - Energy class: G



Blush wall: 462€ (Exc. IVA)

Buddy floor

P. 78



Buddy floor white
– Item no. 240

Buddy floor dark grey
– Item no. 241

Buddy floor dark green
– Item no. 242

Buddy floor warm beige
– Item no. 243

Buddy floor black
– Item no. 248

Product type: Floor lamp

Design: Mads Sætter-Lassen, 2019

Shade and body material: Steel

Colours: White, dark grey, dark green, warm beige or black (shade inner colour is same as outer colour)

Wire: Black or white (white version only), 200 cm

Switch: Dimmer switch on the floor base

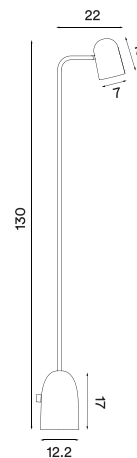
Bulb: GU10, Max. 6 W LED only (dimnable)

Voltage: 220V - 240V - 50/60Hz

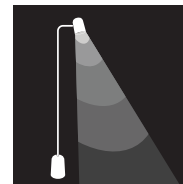
Net weight: 7.3 kg

Minimum order size: 1

Dimensions and light direction:



Recommended dimmable bulb:



Blush floor: 757€ (Exc. IVA)



Buddy table

P. 79



Buddy table white
– Item no. 230

Buddy table dark grey
– Item no. 233

Buddy table dark green
– Item no. 238

Buddy table warm beige
– Item no. 239

Buddy table black
– Item no. 249

Product type: Table lamp

Design: Mads Sætter-Lassen, 2016

Shade and body material: Steel

Colours: White, dark grey, dark green, warm beige or black (shade inner colour is same as outer colour)

Wire: Black or white (white version only), 200 cm

Switch: On/off switch on the wire

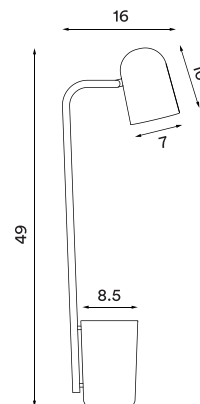
Bulb: GU10, Max. 6 W LED only

Voltage: 220V - 240V - 50Hz

Net weight: 2.1 kg

Minimum order size: 2

Dimensions and light direction:



Recommended bulb:

LED – 5 W



Blush table: 462€ (Exc. IVA)



Buddy wall

P. 80



Buddy wall white
– Item no. 220



Buddy wall dark grey
– Item no. 221



Buddy wall dark green
– Item no. 222



Buddy wall warm beige
– Item no. 223



Buddy wall black
– Item no. 224

Product type: Wall lamp

Design: Mads Sætter-Lassen, 2017

Shade and body material: Steel

Colours: White, dark grey, dark green, warm beige or black (shade inner colour is same as outer colour)

Wire: Black or white (white version only), 200 cm

Switch: Dimmer switch on the wall base

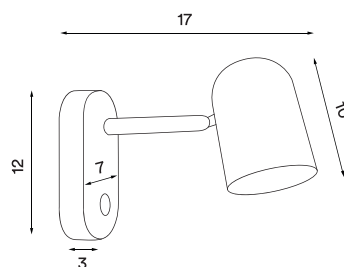
Bulb: GU10, Max. 6 W LED only (dimmable)

Voltage: 220V - 240V - 50/60Hz

Net weight: 0.4 kg

Minimum order size: 2

Dimensions and light direction:



Recommended dimmable bulb:



Buddy wall: 386€ (Exc. IVA)



Butterfly wall

P. 81



Butterfly white
– Item no. 320



Butterfly brass
– Item no. 322



Butterfly dark green
– Item no. 323



Butterfly black
– Item no. 321



Butterfly aluminium
– Item no. 329

Product type: Wall lamp

Design: Sven I. Dysthe, 1964

Shade material: Steel, brass or aluminium

Shade colour: White, black, dark green,
brushed brass or brushed aluminium

Body material: Steel

Body colour: White, black, brass, steel or dark green

Wire: White silk (white version), black silk (brass, black,
aluminium and dark green versions), 200 cm

Bulb: E27, Max. 60 W

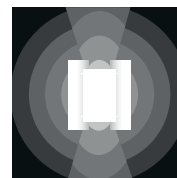
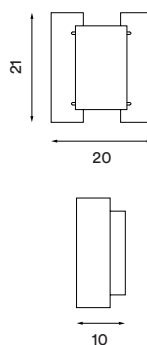
Voltage: 220V - 240V - 50/60Hz

Net weight: 1,2 kg (white, black, brass and dark green
versions), 0,8 kg (aluminium version)

Minimum order size: 2

Spare part available: Wall bracket

Dimensions and light direction:



Recommended bulb:



White, black, dark green: 494€ (Exc. IVA)

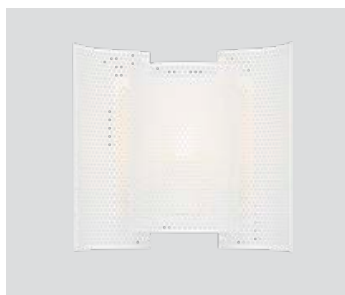
Aluminium: 587€ (Exc. IVA)

Brass: 694€ (Exc. IVA)

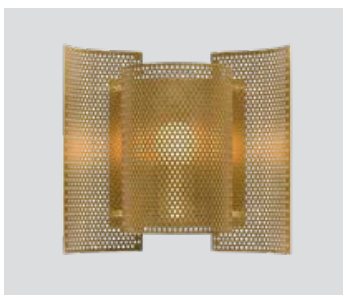


Butterfly perforated wall

P. 82



Butterfly perforated white
– Item no. 324



Butterfly perforated brass
– Item no. 325



Butterfly perforated dark green
– Item no. 326



Butterfly perforated black
– Item no. 327



Butterfly perforated aluminium
– Item no. 328

Product type: Wall lamp

Design: Sven I. Dysthe, 1964

Shade material: Steel, brass or aluminium

Shade colour: White, black, dark green,
brushed brass or brushed aluminium

Body material: Steel

Body colour: White, black, dark green, brass or steel

Wire: White silk (white version), black silk (brass, black,
aluminium and dark green versions), 200 cm

Switch: Detachable pull string switch (on/off)

Bulb: E27, Max. 60 W

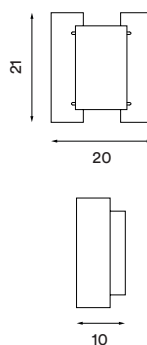
Voltage: 220V - 240V - 50/60Hz

Net weight: 1.2 kg (white, black, brass and dark green
versions), 0,8 kg (aluminium version)

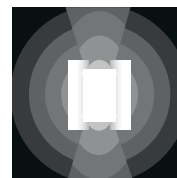
Minimum order size: 2

Spare part available: Wall bracket

Dimensions and light direction:



Recommended bulb:



White, black, dark green: 494€ (Exc. IVA)

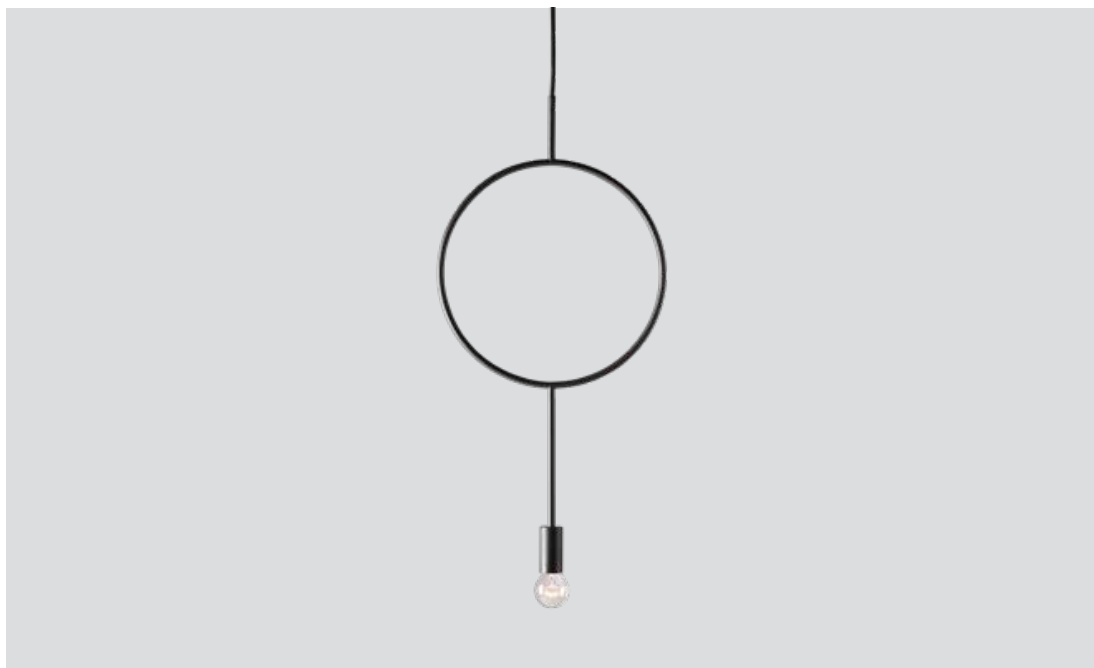
Aluminium: 587€ (Exc. IVA)

Brass: 694€ (Exc. IVA)



Circle pendant

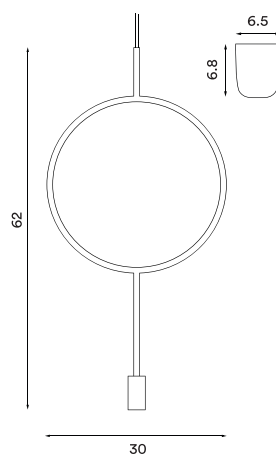
P. 83



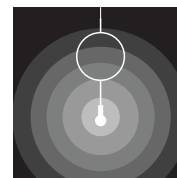
Circle
– Item no. 666

Product type: Pendant lamp
Design: Hannakaisa Pekkala, 2017
Body colour: Dark grey
Body material: Steel
Wire: Black rubber, 370 cm
Bulb: E14, Max. 40 W
Voltage: 220V - 240V - 50Hz
Net weight: 0.6 kg
Minimum order size: 2

Dimensions and light direction:



Recommended bulb:



Circle pendant: 340€ (Exc. IVA)



Dahl pendant

P. 84



Dahl small hanging part brass matt – *Item no. 491*

Dahl small glass shade – *Item no. 495*



Dahl small hanging part dark grey – *Item no. 492*

Dahl small glass shade – *Item no. 495*



Dahl large hanging part brass matt – *Item no. 445*

Dahl large glass shade – *Item no. 444*



Dahl large hanging part dark grey – *Item no. 446*

Dahl large glass shade – *Item no. 444*

Product type: Pendant lamp series

Design: Birger Dahl, 1956

Shade material: Glass

Shade colour: Opal white matt

Body material: Steel

Body colours: Brass matt or dark grey

Wire: Black rubber, 370 cm

Bulb: E27, Max. 40 W (small),

E27, Max. 100 W (large)

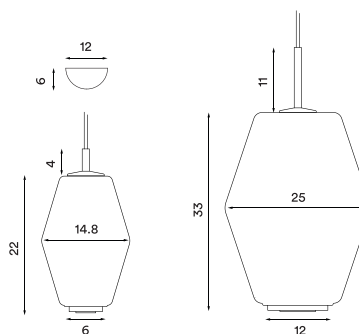
Voltage: 220V - 240V - 50Hz

Net weight: 0.8 Kg (small), 2.1 Kg (large)

Minimum order size: 2

Spare parts available: Light diffuser ring,
cord grip canopy, glass shade

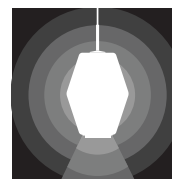
Dimensions and light direction:



Recommended bulbs:

LED – 7 W

LED – 9 W



Dahl small: 509€ (Exc. IVA)

Dahl large: 616€ (Exc. IVA)



Diva pendant / floor

P. 85



Diva floor oak
– Item no. 370



Diva floor smoked oak
– Item no. 372



Diva pendant oak
– Item no. 380



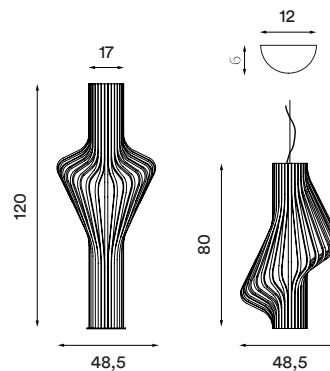
Diva pendant smoked oak
– Item no. 382

Diva floor base – Item no. 390

Diva hanging part – Item no. 391

Product type: Floor lamp and pendant lamp series
Design: Peter Natedal & Thomas Kalvatn Egset, 2009
Shade material and colour: Oak or smoked oak, laminated plywood
Glass shade material: Mouth blown glass
Glass shade colour: Opal white matt
Body material and colour: Steel
Wire: Transparent, 200 cm (floor) and 370 cm (pendant)
Dimmer switch: Transparent (floor lamp only)
Bulb: G9, Max. 6 W LED only (dimmable)
Voltage: 220V - 240V - 50/60Hz
Net weight: 7 kg (floor lamp), 4.5 kg (pendant lamp)
Minimum order size: 1
Spare parts available: Glass shade

Dimensions and light direction:



Recommended dimmable bulb:

LED – 3 W

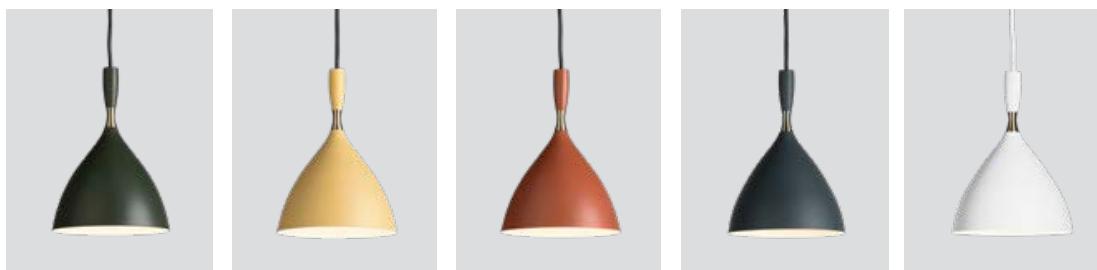


Diva pendant / floor: 5,100€ (Exc. IVA)



Dokka pendant

P. 86



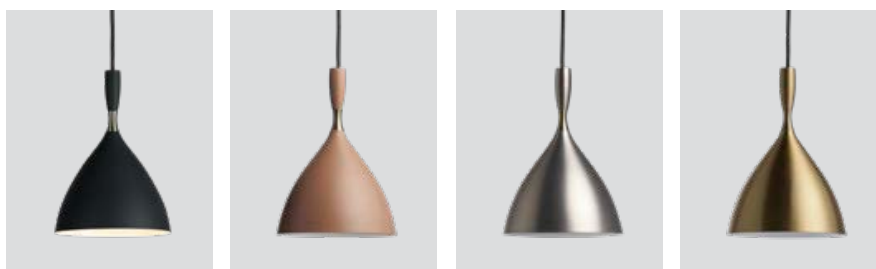
Dokka dark green
– Item no. 251

Dokka light yellow
– Item no. 252

Dokka rust
– Item no. 253

Dokka dark grey
– Item no. 256

Dokka white matt
– Item no. 274



Dokka black matt
– Item no. 275

Dokka warm beige
– Item no. 276

Dokka steel
– Item no. 277

Dokka brass
– Item no. 278

Product type: Pendant lamp

Design: Birger Dahl, 1954

Shade material: Steel or brass (brass version only)

Shade ring material: Brass

Shade colours: Dark green, light yellow, rust, dark grey, white matt, black matt, warm beige, brushed steel or brushed brass

Shade inner colour: White

Wire: White rubber (white version only) or black rubber (all other versions), 370 cm

Bulb: E27, Max. 60 W

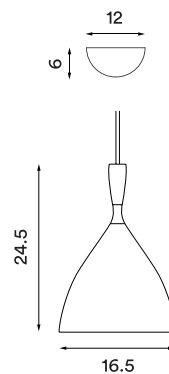
Voltage: 220V - 240V - 50/60Hz

Net weight: 0.9 kg

Minimum order size: 2

Spare part available: Cord grip canopy

Dimensions and light direction:



Recommended bulb:



Steel versions: 448€ (Exc. IVA)

Brass: 540€ (Exc. IVA)

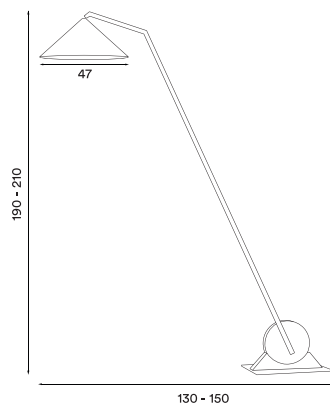




Gear floor
– Item no. 410

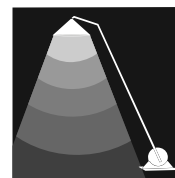
Product type: Floor lamp
Design: Johan Lindstén, 2018
Base, body and shade material: Steel
Base, body and shade colour: Black
Shade inner colour: White
Wire (with dimmer switch): Black, 200 cm
Bulb: E27, Max. 100 W (dimnable)
Voltage: 220V - 240V - 50/60Hz
Net weight: 17.1 kg
Minimum order size: 1

Dimensions and light direction:



Recommended dimmable bulb:

LED – 11 W



Gear floor: 3,401€ (Exc. IVA)

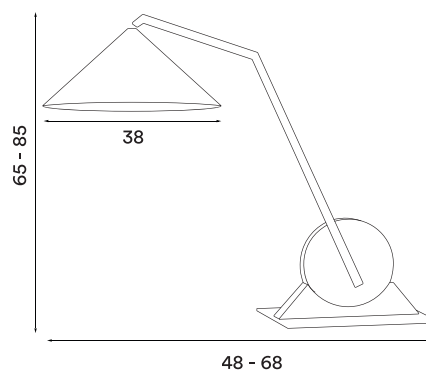




Gear table
– Item no. 411

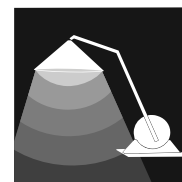
Product type: Table lamp
Design: Johan Lindstén, 2018
Base, body and shade material: Steel
Base, body and shade colour: Black
Shade inner colour: White
Wire (with dimmer switch): Black, 200 cm
Bulb: E27, Max. 60 W (dimnable)
Voltage: 220V - 240V - 50/60Hz
Net weight: 6.1 kg
Minimum order size: 1

Dimensions and light direction:



Recommended dimmable bulb:

LED – 11 W



Gear table: 1,700€ (Exc. IVA)



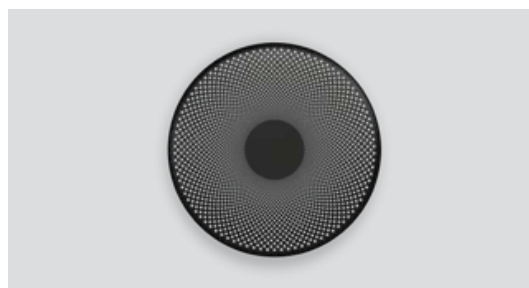
Glint wall white
– Item no. 265



Glint wall brass
– Item no. 266



Glint wall aluminium
– Item no. 267



Glint wall black
– Item no. 268

Product type: Wall lamp

Design: Felix Isidorsson, 2022

Shade material: Steel, brass or aluminium

Shade colour: White, brushed brass, brushed aluminium or black

Body material: Steel

Body colour: White or black (black version only)

Wire: White (white and brass versions), black (black version) or transparent (aluminium version), 200 cm (with on/off switch)

Bulb: Integrated and dimmable LED 6 W, 550 lm, 2700 K, CRI > 85

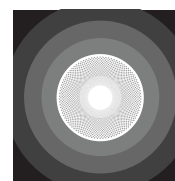
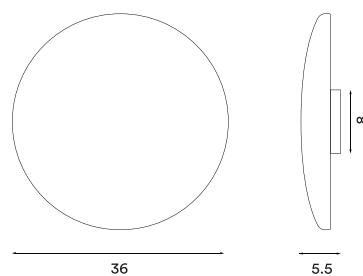
Voltage: 220V - 240V - 50/60Hz

Net weight: 1.2 kg (white, black and brass versions), 0.8 kg (aluminium version)

Minimum order size: 2

Spare parts available: LED module

Dimensions and light direction:



Light source included:

LED 6 W - Energy class: G



White, black, aluminium: 665€ (Exc. IVA)
Brass: 1,019€ (Exc. IVA)

Heat pendant

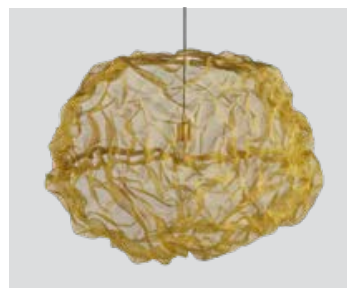
P. 90



Heat pendant small brass
– Item no. 482



Heat pendant large brass
– Item no. 481



Heat pendant XL brass
– Item no. 485



Heat pendant small steel
– Item no. 483



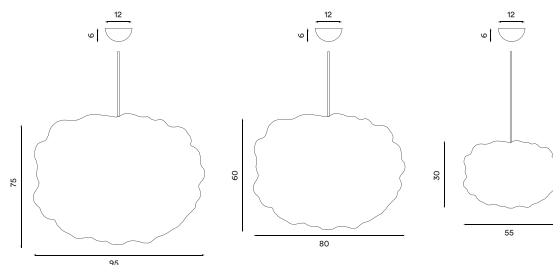
Heat pendant large steel
– Item no. 484



Heat pendant XL steel
– Item no. 486

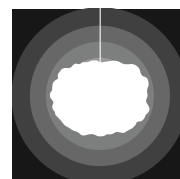
Product type: Pendant lamp series
Design: Johanna Forsberg, 2018
Shade material: Brass or steel metal mesh
Shade colour: Brass or steel
Body material: Steel
Body colour: Brass or steel
Wire: Black rubber, 370 cm
Bulb: E27, Max. 100 W
Voltage: 220V - 240V - 50/60Hz
Net weight small: 1.0 kg
Net weight large: 2.1 kg
Net weight XL: 4.2 kg (steel), 4.5 kg (brass)
Minimum order size: 1

Dimensions and light direction:



Recommended bulb:

LED – 11 W



Small: 1,390€ (Exc. IVA)
Large: 1,839€ (Exc. IVA)
XL: 2,549€ (Exc. IVA)

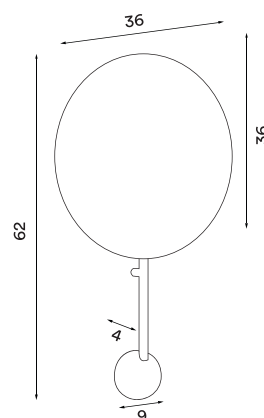




Ink wall black
– Item no. 269

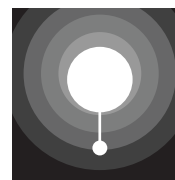
Product type: Wall lamp
Design: Felix Isidorsson, 2019
Shade and body material: Steel
Shade and body colour: Black
Shade inner colour: White
Wire: Black, 200 cm (with on/off switch)
Bulb: Integrated and dimmable LED 6 W, 550 lm, 2700 K, CRI > 85.
Voltage: 220V - 240V - 50/60Hz
Net weight: 1.8 kg
Minimum order size: 2
Spare parts available: LED module

Dimensions and light direction:



Light source included:

LED 6 W - Energy class: G



Ink wall: 757€ (Exc. IVA)



Me dim floor

P. 92



Me dim floor white
- Item no. 692

Me dim floor grey
- Item no. 693

Me dim floor petrol
blue - Item no. 694

Me dim floor black
- Item no. 695

Me dim floor warm
beige - Item no. 696

Product type: Floor lamp

Design: Morten & Jonas, 2015/2022

Body materials: Steel and silicone

Shade material: Steel

Shade and body colours: White, grey,
petrol blue, black or warm beige

Shade inner colour: White

Light diffuser material: Opal acrylic

Dimmer switch: Brass (on shade top)

Wire: Black, 200 cm

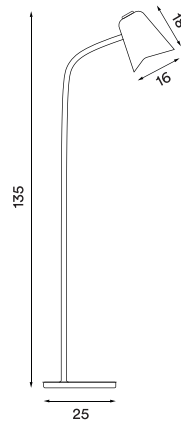
Bulb: Integrated and dimmable LED 13 W,
1200 lm, 2700 K, CRI > 85

Voltage: 220V - 240V - 50/60Hz

Net weight: 11.3 kg

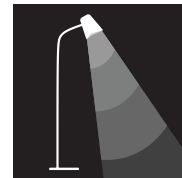
Minimum order size: 1

Dimensions and light direction:



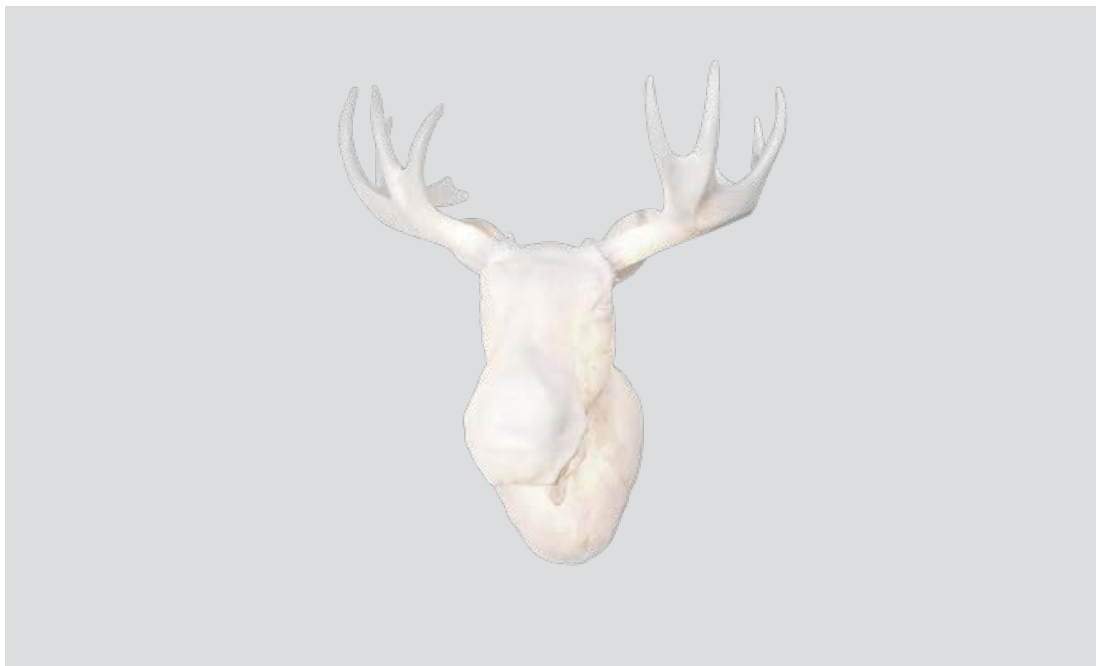
Light source included:

LED 13 W - Energy class: G



Me dim floor: 618€ (Exc. IVA)





Moo wall
– Item no. 272

Product type: Wall lamp

Design: Trond Svendgård & Ove Rogne, 2008

Shade material: Polyresin and glass fibre

Shade colour: White

Body material: Steel

Wire: White, 200 cm (with on/off switch)

Bulbs main body: 2 x E27, Max. 20W LED

Bulbs horns: 2 x E14, Max. 7 W LED

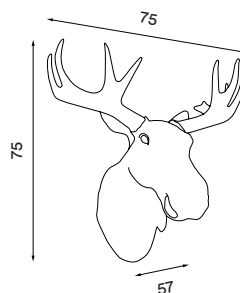
Voltage: 220V - 240V - 50/60Hz

Net weight: 10 kg

Minimum order size: 1

Spare parts available: Light bulbs (2800K, warm white and 4000K, daylight)

Dimensions and light direction:



Bulbs included:

2 x E27 LED 7 W (4000K)

– Energy class: G

2 x E14 LED 5.5 W (4000K)

– Energy class: G



Moo wall: 3,864€ (Exc. IVA)

Ombre table

P. 94



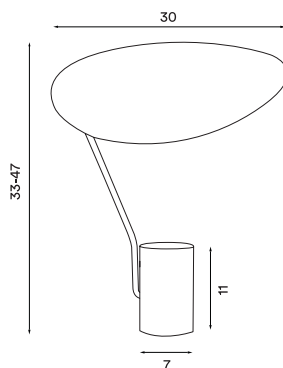
Ombre table black
– Item no. 130



Ombre table warm beige
– Item no. 131

Product type: Table lamp
Design: Antoine Rouzeau, 2019
Shade and body material: Steel
Shade and body colour: Black or warm beige
Wire: Black, 200 cm (with on/off switch)
Bulb: GU10, Max. 6 W LED only
Voltage: 220V - 240V - 50/60Hz
Net weight: 1.4 kg
Minimum order size: 2

Dimensions and light direction:



Recommended bulb:

 LED – 6 W



Ombre table: 618€ (Exc. IVA)



Oslo Wood floor

P. 95



Oslo Wood beige shade – *Item no. 160*



Oslo Wood black shade – *Item no. 161*



Oslo Wood light blue shade – *Item no. 162*



Oslo Wood green shade – *Item no. 163*



Oslo Wood white shade – *Item no. 164*



Oslo Wood olive green shade – *Item no. 165*



Oslo Wood caramel shade – *Item no. 166*



Oslo Wood steel feet – *Item no. 180*



Oslo Wood gold feet – *Item no. 184*



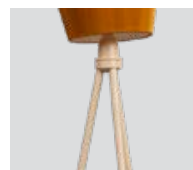
Oslo Wood white matt feet – *Item no. 185*



Oslo Wood black matt feet – *Item no. 186*



Oslo Wood light grey feet – *Item no. 187*



Oslo Wood beige feet – *Item no. 188*

Product type: Floor lamp

Design: Ove Rogne, 2006

Shade material: Coloured chain link fabric

Shade colour: Beige, black, light blue, green, olive green, white or caramel

Body material: Steel

Body colour: Steel, gold, white matt, black matt, light grey or beige

Wire: Black, 200 cm

Dimmer switch: Black (on wire)

Bulb: E27, Max. 100 W (dimnable)

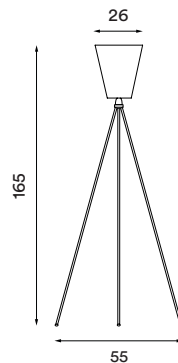
Voltage: 220V - 240V - 50/60Hz

Net weight: 3.9 kg

Minimum order size: 2

Spare parts available: Dimmer switch, bulb socket, shade fastening ring

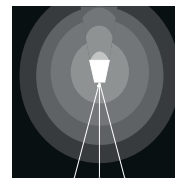
Dimensions and light direction:



Recommended dimmable bulb:



LED – 11 W



Oslo Wood floor: 865€ (Exc. IVA)





Over Me D20 white – *Item no. 671*
 Over Me D20 dusty blue – *Item no. 672*
 Over Me D20 dark grey – *Item no. 673*
 Over Me D20 black – *Item no. 674*



Over Me D30 white – *Item no. 640*
 Over Me D30 dusty blue – *Item no. 641*
 Over Me D30 dark grey – *Item no. 642*
 Over Me D30 black – *Item no. 675*



Over Me D40 white – *Item no. 643*
 Over Me D40 dusty blue – *Item no. 644*
 Over Me D40 dark grey – *Item no. 645*
 Over Me D40 black – *Item no. 676*



Over Me D50 white – *Item no. 677*
 Over Me D50 dusty blue – *Item no. 678*
 Over Me D50 dark grey – *Item no. 680*
 Over Me D50 black – *Item no. 679*

Product type: Ceiling and wall lamp series

Design: Morten & Jonas, 2017

Body material: Steel

Body colour: White, dusty blue, dark grey or black

Shade material: Glass

Shade colour: Opal white matt

Bulbs: E27, Max. 2 x 7 W (P45 size) LED only (D20),

E27, Max. 2 x 13 W LED only (D30)

E27, Max. 3 x 13 W LED only (D40),

E27, Max. 4 x 13 W LED only (D50)

Voltage: 220V - 240V - 50/60Hz

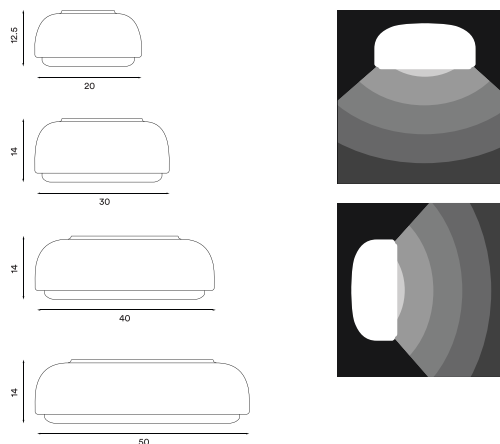
Net weight: 1.5 kg (D20), 2.0 kg (D30),

3.1 kg (D40), 5.7 kg (D50)

Minimum order size: 2

Spare parts available: Glass shade

Dimensions and light direction:



Recommended bulbs: LED - 7 / 11 W

D20: 494€ (Exc. IVA)
 D30: 587€ (Exc. IVA)
 D40: 757€ (Exc. IVA)
 D50: 1,004€ (Exc. IVA)

Reveal pendant

P. 97



Reveal pendant small – *Item no. 190*



Reveal pendant large – *Item no. 191*

Product type: Pendant lamp series

Design: Silje Nesdal, 2019

Shade material: Mouth blown glass

Shade colour: Grey

Body material: Aluminium and acrylic

Body colour: Brass matt and opal white

Wire: White rubber, 370 cm

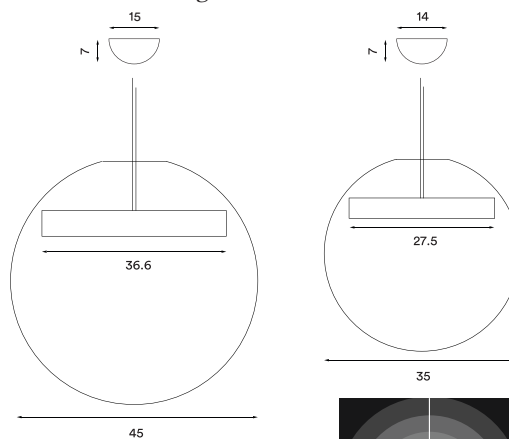
Bulb: LED 10 W, 3000 K, 900 lm. Dimmable.

Voltage: 220V - 240V - 50/60Hz

Net weight: 3.5 kg (small), 4.4 kg (large)

Minimum order size: 1

Dimensions and light direction:



Light source included:

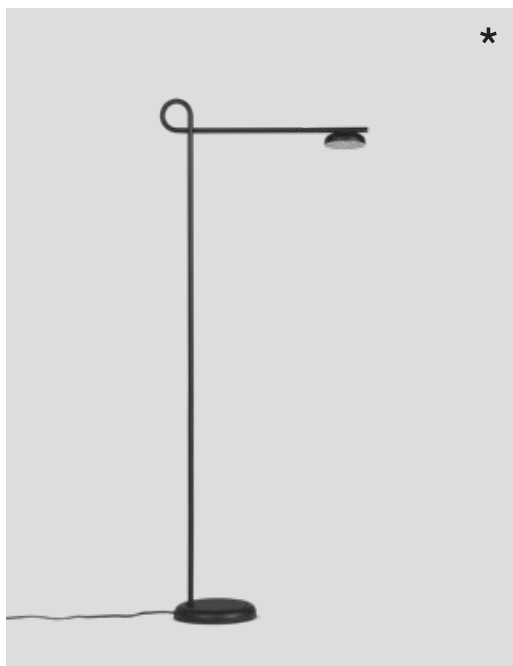
LED 10 W - Energy class: G



Small: 1,158€ (Exc. IVA)

Large: 1,575€ (Exc. IVA)





Salto floor black
– Item no. 734



Salto floor beige
– Item no. 736

Product type: Floor lamp

Design: Gridy, 2022

Shade and body material: Steel

Shade and body colour: Black or beige

Light diffuser material: Opal acrylic

Wire: Black, 200 cm

Switch: 3-step touch dimmer (on lamp)

Bulb: Integrated LED 6 W, 550 lm, 2700 K,

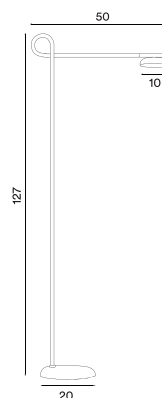
CRI > 85, step dim

Voltage: 220V - 240V - 50/60Hz

Net weight: 5.4 kg

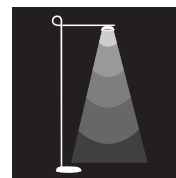
Minimum order size: 1

Dimensions and light direction:

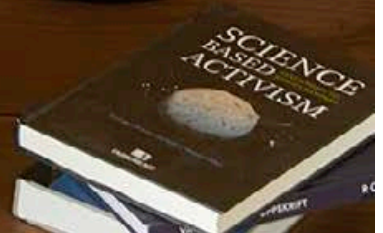


Light source included:

LED 6 W - Energy class: A



Salto floor: 880€ (Exc. IVA)



Salto table

P. 100



Salto table black
– Item no. 730



Salto table beige
– Item no. 732

Product type: Table lamp

Design: Gridy, 2022

Shade and body material: Steel

Shade and body colour: Black or beige

Light diffuser material: Opal acrylic

Wire: Black, 200 cm

Switch: 3-step touch dimmer (on lamp)

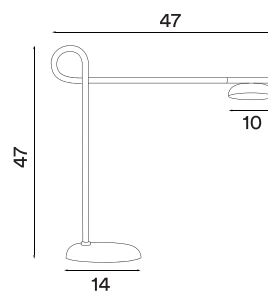
Bulb: Integrated LED 6 W, 550 lm, 2700 K,
CRI > 85, step dim

Voltage: 220V - 240V - 50/60Hz

Net weight: 2.5 kg

Minimum order size: 2

Dimensions and light direction:



Light source included:

LED 6 W - Energy class: A



Salto table: 665€ (Exc. IVA)



Say My Name pendant / table

P. 101



Say My Name pendant
smoked grey glossy – *Item no. 660*



Say My Name pendant
smoked grey matt – *Item no. 661*



Say My Name table
smoked grey glossy – *Item no. 662*



Say My Name table
smoked grey matt – *Item no. 663*

Product type: Pendant and table lamp series

Design: Morten & Jonas, 2015

Shade material: Mouth blown glass

Shade colour: Smoked grey glossy or
smoked grey matt

Base material: Steel

Wire: Black rubber, 370 cm (pendant)
200 cm with switch (table)

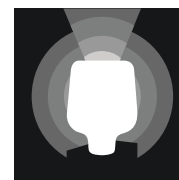
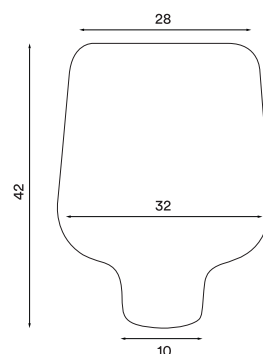
Bulb: E27, Max. 60 W

Voltage: 220V - 240V - 50Hz

Net weight: 5.7 kg (pendant and table)

Minimum order size: 1

Dimensions and light direction:



Recommended bulb:

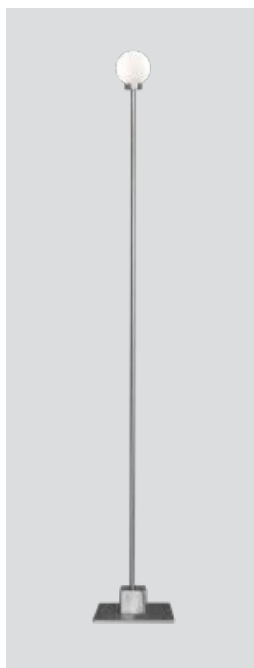


Say My Name pendant / table: 1,700€ (Exc. IVA)



Snowball floor

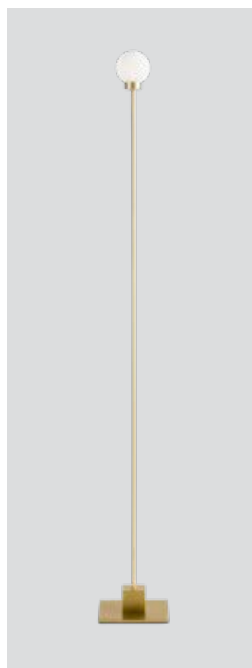
P. 102



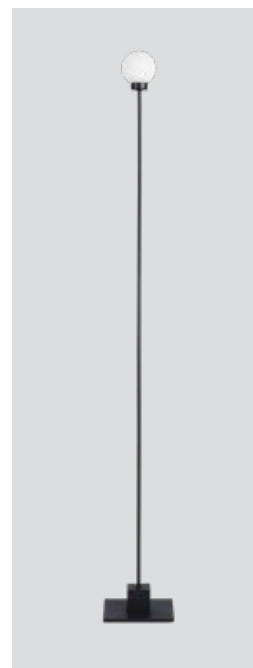
Snowball floor steel
– Item no. 714



Snowball floor white
– Item no. 715



Snowball floor brass
– Item no. 716



Snowball floor black
– Item no. 717

Product type: Floor lamp

Design: Trond Svendgård, 2005

Body material: Steel and aluminium or brass

Body colour: Steel, white, brass or black

Shade material: Mouth blown glass

Shade colour: Opal white matt

Wire (with dimmer switch): Transparent
(steel and white versions), black (black and
brass versions), 200 cm

Bulb: G9, Max. 6 W LED only (dimnable)

Voltage: 220V - 240V - 50/60Hz

Net weight: 1.6 kg

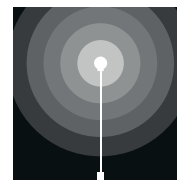
Minimum order size: 2

Spare part available: Glass shade, dimmer switch

Dimensions and light direction:



**Recommended
dimnable bulb:**



Steel, white, black: 494€ (Exc. IVA)

Brass: 618€ (Exc. IVA)



Snowball table

P. 103



Snowball table steel
– Item no. 710



Snowball table white
– Item no. 711



Snowball table brass
– Item no. 712



Snowball table black
Item no. 713

Product type: Table lamp

Design: Trond Svendgård, 2005

Body material: Steel and aluminium or brass

Body colour: Steel, white, brass or black

Shade material: Mouth blown glass

Shade colour: Opal white matt

Wire (with dimmer switch): Transparent (steel and white versions), black (black and brass versions), 180 cm

Bulb: G9, Max. 6 W LED only (dimmable)

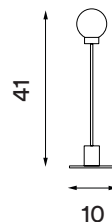
Voltage: 220V - 240V - 50/60Hz

Net weight: 0.9 kg

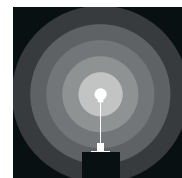
Minimum order size: 2

Spare part available: Glass shade, dimmer switch

Dimensions and light direction:



Recommended dimmable bulb:



Steel, white, black: 416€ (Exc. IVA)
Brass: 494€ (Exc. IVA)



Tradition pendant

P. 104



Tradition pendant tall
– Item no. 740



Tradition pendant large oval
– Item no. 741



Tradition pendant small
– Item no. 742

Product type: Pendant lamp series

Design: Morten & Jonas, 2022

Shade material: Knitted polyester textile,
steel

Shade colour: Off-white

Wire: White silk, 370 cm

Bulb: E27, Max. 13 W LED only

Voltage: 220V - 240V - 50/60Hz

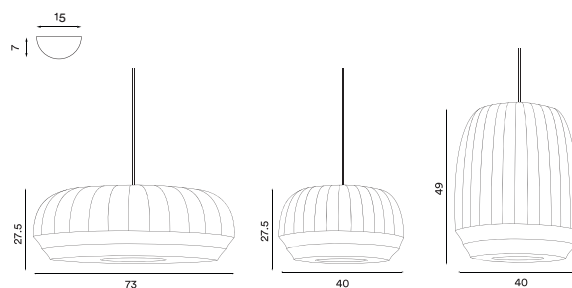
Net weight tall: 3.3 kg

Net weight large oval: 4.0 kg

Net weight small: 2.8 kg

Minimum order size: 1

Dimensions and light direction:



Recommended bulb:

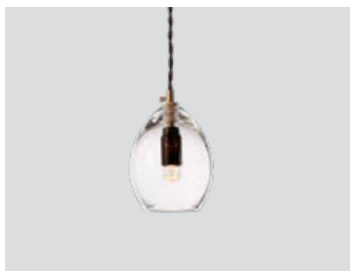


Small: 665€ (Exc. IVA)
Tall: 772€ (Exc. IVA)
Large Oval: 926€ (Exc. IVA)



Unika pendant

P. 105



Unika small transparent
– Item no. 530



Unika small grey
– Item no. 535



Unika small white
– Item no. 532



Unika large transparent
– Item no. 531



Unika large grey
– Item no. 536



Unika large white
– Item no. 533

Product type: Pendant lamp

Design: Anne Louise Due de Fønss
& Anders Lundqvist, 2012

Shade material: Mouth blown glass

Shade colour: Transparent, grey or opal white

Body material: Brass

Wire: Twisted fabric wire (black on transparent and grey versions, white on white version), 370 cm

Bulb: E14, Max. 60 W

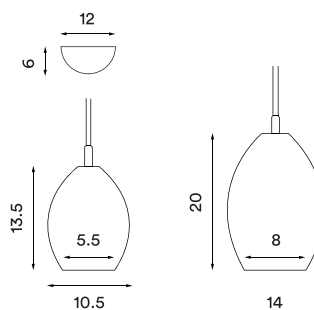
Voltage: 220V - 240V - 50/60Hz

Net weight: 0.7 kg (small), 1.0 kg (large)

Minimum order size: 2

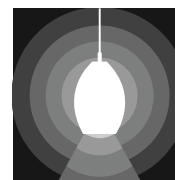
Spare parts available: Brass side screw,
cord grip canopy

Dimensions and light direction:



Recommended bulb:

LED – 3 W



Small: 509€ (Exc. IVA)
Large: 555€ (Exc. IVA)





Contact us

Northern
Bygdøy allé 68
0265 Oslo, Norway

Follow us

Facebook – [northern.no](https://www.facebook.com/northern.no)
Instagram – [northern.no](https://www.instagram.com/northern.no)
Pinterest – [northernoslo](https://www.pinterest.com/northernoslo)

Contact us

Cofer Studio
Quivira
Los Cabos, México

(+52) 624 192 3366
sales@coferstudio.com
coferstudio.com

DIVISA: EUR + IVA
TIPO DE CAMBIO BANORTE
COFER STUDIO REPRESENTANTE EXCLUSIVO EN MÉXICO